

CE

heatmiser
Effective Temperature Control

**USER & ENGINEER
INSTRUCTION
MANUAL**

**HEATMISER
IQ+**

EN

IT

FR

DE

NL

Revision 1 - 06/09

Ref: IQ2

This is blank - the inside of the front cover

USER INSTRUCTIONS

CONTENTS PAGE

SUBJECT	PAGE No.
Contents Pages	1
Language Option	2
Standard Terms	2
Normal RUN Mode	2
Override	3
Summer Mode.....	3
Time and Date View.....	3
Heater Lockout and Reset.....	3
Summer Fan	4
Program Mode	4
Temperature setting	4
Programming the switching times	4-5
Setting the clock	5
Changing the user code	5
Viewing the Logging Information.....	6
Programming holiday periods.....	6
Engineers Setup	7
Maximum Override setup.....	7
Optimisation setup.....	7
Changing the user code	7
Configuring the Control.....	7
Configuration Setup	7
Configuring the control for On/Off control.....	8
Configuring the control for High/Low control	9
Configuring the control for Modulating control	10
System Setup	11
Fan Control Setup	11
Sensor Setup	11
Service Mode Setup.....	11
Resetting the Service Mode	12
Network Control	13
Programming across the network.....	13-15
Network Setup	15
Specification	16
Wiring Diagrams	17-19

Language Option

To select the required language press PROG and enter the code 2305 and press Enter. Then select the required language from the selection.

Standard Terms

Self Learning Optimisation is a system whereby the Heatmiser Control will automatically calculate the start up time to ensure the building is up to temperature for the programmed switching time. It does this by monitoring the internal temperature readings, so that for example, in milder weather conditions heat up times are reduced - thus saving energy.

Preheat is the number of hours the control can come on before the programmed switching time (when in optimising mode) This is setup under the Engineers code and can be set to no more than 8 hours.

Rate of Change is the time it takes to raise the building by 1.0°C. The factory default for this setting is 20 minutes but the control will automatically adjust this according to the fabric of the building.

Override Using the override button on the Heatmiser keypad allows the user to override the zone for a selected number of hours, to allow for unscheduled use of the system. A maximum can be set to stop users entering long override periods.

Switching period status:

- **Day** is when the control is being controlled to an actual switching time (For example between 07.00 - 17.00 the control would be in a DAY condition) Outside of these hours the control would be in a night condition.
- **Night** is when no switching times have been programmed. At these times the control is set back to the night temperature.

Heater Lockout and Reset is standard on the Heatmiser Mistral and allows for a signal to be fed into the Heatmiser from the heater when the heater goes to lockout (overheat etc) Once the fault on the heater has been rectified a reset signal can be sent to the heater resetting lockout status.

Normal RUN Mode is when the control is operating normally and is not being programmed (ie showing the time and date screen). It is important to remember that when any alterations have been made to the Heatmiser's program, the RUN button is pressed to return the control to the RUN mode.

Normal RUN Mode

There is one main Normal (Run) mode screen, and one Info screen on the Heatmiser IQ+. These are explained below;

On/Off RUN mode screen

FRI 07.58 23.0°C HEAT OFF

This screen shows the time, actual temperature and the heat relay status (On or Off)

High/Low RUN mode screen

FRI 07.58 23.0°C LOW ON HIGH OFF

This screen shows the time, actual temperature and the heat status of both high and low flame

Pressing the Information button followed by option 1 will show the following display:

This display is shows the target temperature along with the switching period status.

TARGET TEMP : 21.0°C TIME CLOCK: DAY

Override

The Heatmiser IQ+ can be overridden into a day or night condition to allow for any unscheduled operation of the system. The maximum time that the unit can be overridden will have been set by the installer.

To program an override period

- From the Normal RUN mode
Press the Override button and enter your security code if required.
- Then choose 1) to enter the override mode
- Then select either 1 or 2 to override the zone
ON(1) or OFF(2)
- You are now prompted to enter the length of the override period.
- Should the zone be above temperature, the control will show the following screen. Remember that the override function only overrides time and not temperature. This error message will also appear if the override time programmed exceeds the maximum override setting
- The status screen then indicates the zone has been put into an override condition.

Mon 13.06 20.0°C
Time Clock: DAY

1 > OVERRIDE MODE
2 > SUMMER MODE

OVERRIDE TO
1 > ON or 2 > OFF

OVERRIDE SETTING
MAXIMUM (04) :03

** WARNING**
INVALID DATA

Mon 13.06 20.0°C
Status: OVERRIDE



To cancel an override period repeat the steps above, choosing 2 for OFF and then reduce the length of the override period to 00

Summer Mode

To enable the Summer mode facility press the Override/Summer button and select 2 for summer.

The control is then put in to the summer mode, which means that the temperature is controlled to the Night setback setting.

To cancel repeat the above operation.

1 > Override Mode
2 > Summer Mode

Date

To display the current time and date:

- Press INFO
- Press 2 for date.
- To cancel, repeat the above operation.

12.13.49
SAT 11-12-02

Heater Lockout/Reset

A supply can be wired into the Heatmiser from the heater lockout connection allowing for remote indication of a fault. Once the fault has been rectified on the heater, pressing RESET on the keypad sends a reset signal to the heater to clear the lockout status. This feature is highly beneficial on heaters installed out of reach.

Heater Reset (No lockout indication)

On heaters where there is no heater lockout, the Heatmiser can be used to send a reset signal.

To send a Reset signal in the case:

- Press the Info/Reset button
- Press 3 for Reset

1 > INFORMATION 2 > DATE
3 > LOCKOUT RESET

The reset relay will be energised for a second.

Manual Summer Fan

Providing the installed heaters are equipped with a summer fan facility, the Heatmiser can enable the fan to give ventilation in summer months.

- Pressing the FAN key displays the following screen.
- At this point you must press ENTER or if you wish to abort this operation press the DELETE key.

FAN ON?
ENTER TO CONFIRM

! To disable the fan, repeat the above operation.

If the FAN key does not operate, the fan output is being used to give constant or automatic summer fan control. This is described later in this manual.

Program Mode

From the Normal (RUN) mode screen, pressing the PROG button will display the following screen.

** WARNING **
ENTRY CODE: ????

Before you can access the Heatmiser you must enter the passcode. This passcode is set to 0000 as a factory default but may be changed at any time by the user to ensure security. This process is explained under section 4 (code).

Temp

This section is used to change the temperature settings.

1 > TEMP 2 > DATA
3 > SYSTEM 4 > HOLS

Pressing 1 for Temp displays the following screen:

- You are now prompted to enter the required temperature for the DAY periods (EG:22.0). This must be entered as three digits.
- When complete, press Enter
- You are now able to select whether you require frost protection. Selecting ON enables you to set a NIGHT setback temperature.
- Press Enter when you have set the required night temperature.

SET DAY PERIOD
TEMP: 22.0°C

FROST PROTECTION
1 > ON or 2 > OFF

SET NIGHT PERIOD
TEMP: 05.0°C

If S.Fan has been enabled, you are prompted to enter the summer fan temperature. The summer fan temperature is calculated by a differential setting. For example a differential of 03 means that the summer fan temperature will be 03°C above the day setting. Therefore there is no risk of the DAY temperature being higher than the Summer Fan setting.

SUMMER FAN
DIFFERENTIAL: XX

Data

The DATA section is where you are able to set the daily switching periods. There are 3 switching periods per day available.

- Press PROG and enter the security code
- Now select 2 to enter the DATA menu.

1 > TEMP 2 > DATA
3 > SYSTEM 4 > HOLS

You can see on screen now that we are prompted to enter the switching period 1 for Monday. So using 24 hour clock notation, enter the required start time. (EG: 08.00)

MON PERIOD 1
S:HH:MM E:HH:MM

Now press enter to accept the Start time and to move the cursor to the end time setting.

We are able to program the required End time, for example 17.00. Don't forget to use 24 hour clock notation. When complete, press Enter to accept the programmed switching time and to move onto period 2 Monday.

Programming further periods

You are now able to program period 2 Monday in just the same way. Press Enter when complete.

MON PERIOD 2
S: HH:MM E:HH:MM

Should you not require all three switching periods, simply leave the times at HH:MM and this period will be ignored.

MON PERIOD 3
S: HH:MM E:HH:MM

At this point press the Enter key to move onto Tuesday's switching periods.

You are able to enter the switching periods for Tuesday in just the same way.

TUE PERIOD : 1
S:HH:MM E:HH:MM

Should the switching periods be the same on Tuesday, you can press the COPY button and this copies all of the switching times from the previous day. So, for example, if you were to press the COPY button on Tuesday period 1 all of the switching times from Monday would be copied, and then the Heatmiser would move onto Wednesday.

A screen is displayed to indicate the time have been copied.

COPYING ALL DATA
MON to TUE

! To correct any mistakes made, use the DEL Key. If Enter is pressed at any time then the current settings will be retained.

System

This section allows you to set the system time/date and the security codes for the system.

System Time

- From the Normal RUN mode press PROG and enter the user security code.
- Press PROG and enter the user code
- Now press 3 for System
- Now press 1 for System time
- You are now prompted to enter the new time (Enter this in 24 hour clock notation)
- When you have entered the new time, press the Enter key.
- You are now prompted to enter the System date. (Date format is DD:MM:YY)
- When you have entered the new date, press the Enter key.
- You are now prompted to enter the day of week.
- When you have entered the new day, press Enter. The control will revert back to the menu screen. Press RUN to return to the normal RUN mode.

1>TIME 2>CODE
3>LOGGING

TIME NOW: 13.07
NEW TIME: HH:MM

DATE IS: 19-05-03
NEW DATE: DD:MM:YY

SET DAY OF WEEK
1==MON- 7==SUN

System Code

- Press Prog and enter the security code.
- Pressing 3 for System
- Pressing 4 for Code prompts you to select the code you wish to alter.

- 1 > Manager Code - This code gives access to all data settings.
- 2 > Override Code - This code gives access to the Override and Summer functions.

1 > MANAGER CODE
2 > OPERATORS CODE

To change the code, simply enter the new code when prompted.

CODE NOW: 0000
NEW CODE:????

Press RUN to return to the Normal RUN mode.

! Setting the Manager and Operators code to the same disables the Operators code.
(ie. No code is required to access the operators section)

Logging

The Heatmiser IQ records hours run and temperature and burner history. Hours run is a weekly total and is stored for the previous 12 months. The temperature and burner history is recorded every 15 minutes and is also stored for 12 months.

Pressing 1 shows you this weeks hours run total. Pressing the left arrow allows you to scroll through the previous weeks. Using the right arrow allows you to scroll back up to the present date.

1 > HOURS RUN
2 > TEMP & BURNER

Pressing 2 shows you the last recorded temperature and burner status. Pressing the left arrow allows you to scroll through the records (15 minute intervals). Using the right arrow allows you to scroll back up to the last record.

Holidays

This is the section used to set the known holiday periods for the year when heating in the zone will not be required.

Five holiday periods can be set. Follow the steps below for instructions on how to set the holiday periods.

- Press the program key and select option 4.
- You are now prompted to enter the holiday period 1.
You must enter the start date in the DD-MM-YY format. When you have programmed the start date of the holiday press enter.
- You should now program the length of the holiday. You should calculate the number of days you want the heating off by counting from the first day of your holiday until the last. Now enter the length.
- When the first holiday period is set press the enter key.
- Holiday period 2 will now be displayed.

HOLIDAY PERIOD 1
S:00-00-00 L:00

You should program the remaining holiday periods in the same way. When all of the holiday periods have been programmed the control will revert back to the Data menu.

Important Note:

1. If enter is pressed at any time then the current setting will be retained.
2. To cancel the holiday, put the date to 00.00.00 and length to 00. The holiday will then be cancelled.

Engineers Setup

To enter the engineers section, press the program button and enter the Engineers code. (This will be found on a label inside the Heatmiser.)

A display like the one shown will now be displayed.

1 > OVERRUN	2 > OPTI
3 > CODE	4 > SETUP

OVER (Override)

This section allows you to enter a limit for the override. Enter two digits (eg:08 hours) and then press enter to accept the setting.

OVERRIDE SETTING MAXIMUM TIME:08

OPTI (Optimisation)

With the Heatmiser Mistral you are able to set whether optimisation is required (Refer to Terms for further information).

Should you require optimisation select 1 or 0 to disable it.

OPTIMISATION ? N<O> Y<1> :1

Selecting NO will return you to the Setup Menu and turns off optimisation. This means the control will switch the heating ON at the programmed switching time and will not allow for any warm up period.

This is the amount of time the heating system takes to raise the building temperature by 1.0°C. An average starting point would be 20 minutes but because the unit is self learning, it will alter itself by 1 minute per day to adjust to the correct setting.

RATE OF CHANGE MINUTES /°C: 20

This is the maximum number of hours before the entered switching time that the unit could come on to raise the temperature. The maximum setting is 8 hours but an average setting is 3 hours.

SET PRE-HEAT MAXIMUM TIME: 03

CODE

The code section will work as normal and is used to set the User's code.

SETUP

This section allows us to configure the control, set the required fan mode, enable or disable the internal sensor and set-up the service mode.

1 > CONFIG	2 > FAN
3 > SENSOR	4 > EXTRA

CONFIG (Configuring the Heatmiser IQ+)

During the configuration process you will be asked to select the functionality required for the system being controlled.

- Press PROG
- Enter the Engineer code
- Select 4 for Setup
- Select 1 for Config

- You are now prompted to select the control type you require.
ON/OFF = 0 HIGH/LOW = 1 MODULATE = 2

ON/OFF<0>	HILO<1>
MODULATE<2>	

CONFIGURING THE HEATMISER IQ+ (ON/OFF TYPE)

PURGE OPTION

You are now prompted to select whether a purge is required. Selecting N here enables you to bypass the next two displays.

PURGE REQUIRED?
N<0> Y<1> :1

Pre-purge activates relay 3 for the amount of time specified before the heat relay is activated.

PREPURGE TIME
<MINS> :00

Post-purge will activate relay 3 for the amount of time specified after the heat relay has been switched off.

POSTPURGE TIME
<MINS> :00

DOUBLE IGNITION

Enabling this option gives the following functionality.

When the heat relay is activated for the first time of each switching time, it will switch off after 30 seconds. Then after a further 10 seconds the relay is re-energised and will operate as normal.

This operates at the start of every switching period and is used to ensure that the heater fires when installed in areas where there is a high level of condensation.

DOUBLE IGNITION ?
N<0> Y<1> : 0

If post purge is enabled, the fan will timeout before the heater re-fires.

PROVING SWITCH

You are now prompted to select whether you have a proving switch on the system.

PROVING SWITCH?
N<0> Y<1> :0

When there is a demand for heat, the Heatmiser looks to check firstly that the proving switch is not made. Relay 3 is then energised giving pre purge if required. The proving switch then makes followed by relay 2 being energised.

When you have completed the configuration procedure you will be returned to the setup menu screen. At this point you can press RUN to return to the Normal RUN mode or you can continue to program the other settings by selecting another menu option.

UP/DOWN TEMPERATURE LIMIT

You are now prompted to enter the limit for the Up/Down temperature keys. With a limit set to 02, you can increase/decrease the set temperature by 2°C.

USER TEMP LIMIT
TEMP: 00°C

CONFIGURING THE HEATMISER IQ+ (HIGH/LOW TYPE)

HIGH FLAME BOOST

Enabling this option gives the following functionality.

HIGH FLAME BOOST
N<0> Y<1> :0

Whenever there is a heat demand, both high and low relays are activated. After 1 minute the system checks to see if both high and low relays are required. If the temperature is within the differential programmed, the high flame relay is switched off.

HIGH/LOW DIFFERENTIAL

When the Heatmiser Mistral is being used to control a two stage heater, you must enter the hilo differential setting.

- You are now prompted to enter the HiLo differential.
- A differential setting of 4 and a required temperature of 20.0°C means that the control will have low and high flame active until the actual temperature reaches 16°.0C. At this point, the high flame will be switched off.

ENTER THE HILO
DIFFERENTIAL:04

DOUBLE IGNITION

Enabling this option gives the following functionality.

When the heat relay is activated for the first time of each switching time, it will switch off after 30 seconds. Then after a further 10 seconds the relay is re-energised and will operate as normal.

This operates at the start of every switching period and is used to ensure that the heater fires when installed in areas where there is a high level of condensation.

DOUBLE IGNITION ?
N<0> Y<1> :0

PROVING SWITCH

You are now prompted to select whether you have a proving switch on the system.

PROVING SWITCH?
N<0> Y<1> :0

When there is a demand for heat, the Heatmiser looks to ensure that the proving switch is made. The heat outputs (High/Low) will be energised when the switch is made.

UP/DOWN TEMPERATURE LIMIT

You are now prompted to enter the limit for the Up/Down temperature keys. With a limit set to 02, you can increase/decrease the set temperature by 2.0°C.

USER TEMP LIMIT
TEMP: 00.0°C

CONFIGURING THE HEATMISER IQ+ (MODULATE TYPE)

In modulation mode, you can set the temperature band where the control will modulate the from 10v to 0v. The heat output remains active.

You are now prompted to enter the differential setting
With a differential of 02, the Mistral will start to modulate 2°C degrees below the set temperature.

ENTER MODULATION
DIFFERENCE: 04

You are now prompted to select whether a purge is required
Selecting N here enables you to bypass the next two displays

PURGE REQUIRED
N<0> Y<1> : 1

Pre purge activates relay 3 for the amount of time specified before the heat relay is activated.

PREPURGE TIME
<MINS> : 00

Post purge will activate relay 3 for the amount of time specified before the heat relay is activated.

POST PURGE TIME
<MINS> :00

DOUBLE IGNITION

Enabling this option gives the following functionality.

When the heat relay is activated for the first time of each switching time, it will switch off after 30 seconds. Then after a further 10 seconds the relay is re-energised and will operate as normal.

This operates at the start of every switching period and is used to ensure that the heater fires when installed in areas where there is a high level of condensation.

DOUBLE IGNITION
N<0> Y<1> :0

If post purge is enabled, the fan will timeout before the heater re-fires.

PROVING SWITCH

You are now prompted to select whether you have a proving switch on the system.

PROVING SWITCH?
N<0> Y<1> :0

When there is a demand for heat, the Heatmiser looks to check firstly that the proving switch is not made. Relay 3 is then energised giving pre-purge if required. The proving switch then makes followed by relay 2 being energised.

When you have completed the configuration procedure you will be returned to the setup menu screen. At this point you can press RUN to return to the Normal RUN mode or you can continue to program the other settings by selecting another menu option.

UP/DOWN TEMPERATURE LIMIT

You are now prompted to enter the limit for the Up/Down temperature keys. With a limit set to 02, you can increase/decrease the set temperature by 2°C

USER TEMP LIMIT
TEMP: 00°C

SYSTEM WIDE SETUP

FAN

The Heatmiser IQ+ has three fan modes available.

```
USER<0> C.FAN <1>
S.FAN <2>      : 0
```

User: In this mode, the user is allowed to manually switch the fan relay on/off by use of the FAN Key.

Constant Fan: On the Heatmiser IQ+ there is an option to have a constant Fan output. If enabled the fan relay will be permanently ON during the programmed switching times and will operate to the optimiser setting.

Summer Fan: Allows the user to enter a summer fan differential. This setting is the number of degrees above the DAY temperature that the summer fan relay will be activated. Therefore, with a day temperature of 20.0 and a differential of 03 the summer fan relay will be activated at 23.0°C. The minimum differential is 02 and the maximum is 06°C.

SENSOR

The Heatmiser IQ+ has an internal sensor which is disabled as a factory default. To enable it, select 1 for Yes when prompted.

```
INTERNAL SENSOR
N<0> Y<1> : 0
```

The Heatmiser IQ+ has averaging facility. The system will automatically calculate and display the average reading when any two sensors (internal or remote) are detected.

You are now prompted to calibrate the first sensor, if you have enabled the internal sensor you will calibrate this first followed by 1 remote sensor.

```
CALIBRATE (20)
INTERNAL : 23.0
```

If you have not enabled the internal sensor you are prompted to calibrate the first and then second remote sensor.

```
CALIBRATE (19)
REMOTE 1 : 20.0
```

To calibrate, simply enter the new sensor reading after the colon.

EXTRA

SERVICE MODE

From the Normal Run Mode, enter the engineers code and press 4 for Setup, 4 for Extras followed by 1 for Service mode.

You are now prompted to:

- 1 > Configure the service mode or
- 2 > Reset the current hours run total held in the unit

```
1 > CONFIGURATION
2 > RESET DATA
```

Pressing 1 to configure the unit will display the following screen and will ask you to turn the service mode on of off.

```
SERVICE MODE
N<0> Y<1> : 0
```

You are now required to enter the number of hours the system may run before the service mode should be Activated. Press Enter to accept the programmed setting.

```
SERVICE MODE
HOURS RUN: 0000
```

You should now enter the phone number that you want displayed when a service

```
SERVICE MODE
CALL : 0000000000
```

SERVICE ALARM ACTIVATED

When a service alarm has been activated a warning screen will be displayed for 5 seconds every minute. You are able to cancel this warning by pressing RESET whilst the warning display is on screen.

Remember that you will not receive further service alarms until the control has been reset by an engineer.

RESETTING THE SERVICE ALARM

After a service alarm has been activated you are able to reset the hours setting without the need to reprogram the telephone number by selecting Reset from the Configuration/Reset screen.

SYSTEM RESET

This function resets the Heatmiser Mistral's settings back to the factory default.

To put the control through a reset:

- Press 4 for Setup
- Press 4 for Extra
- Press 2 for Reset

RESET ALL DATA?
ENTER TO CONFIRM

- Pressing ENTER at this point will erase all data. To abort press the DELETE Key.
-

HEATMISER IQ+

Network User Section

System explanation:

- Up to 30 IQ+s can be connected together to allow for central control of the heating system.
- The communication link is only used when copying/viewing data from a networked IQ+. This means that should the communication link fail, the heating system will continue to work as normal.
- The design of the IQ+ network systems means that there is no "Master keypad" Each IQ+ can be setup to allow full network access, only local access or no access at all (keypad locked)
- Only 1 IQ+ can be programmed over the network at any one time.

Operating Normal RUN Mode functions on a networked IQ+

Normal RUN mode functions are:

1. Fan
2. Override
3. Summer mode
4. View set-point and time-clock status
5. View current time and date
6. Reset a lockout status

- Use the left/right arrow keys to scroll around the network. The title of each IQ+ will be displayed as you scroll the network.
- Press Prog
- The display will inform the user that the control is entering REMOTE MODE
- The user can now perform any Normal Run mode operation as described on pages 2-4 of this manual

NB: In Normal Run mode, the following applies.

After 4 minutes of inactivity, the remote connection will time-out.

You can disconnect from the networked IQ+ by pressing the PROG key. To close the network connection, press RUN.

Programming a networked IQ+

To begin programming a networked IQ+, follow the steps below;

- Press Program and enter the "Network Access Code".
The network code can be found on the data label in the product.
- You are now presented with two options.

"1 USE LOCAL DATA" "2 USE NW DATA"

Use Local Data: You should use this option if you want to program the local IQ+ and want the ability to copy the data to a networked IQ+.

You are now prompted with this menu.

1)TEMP 2)DATA 3)SYSTEM 4)HOLS
--

1) TEMP

This section is used to change the temperature settings.

- You are now prompted to enter the required temperature for the DAY period (EG:22.0) This must be entered as three digits.
- When complete, press Enter
Selecting ON enables you to set a NIGHT setback temperature.
- Press Enter when you have set the required night temperature.
- If S.FAN has been enabled, you are prompted to enter temperature. The summer fan temperature is calculated by a differential setting. For example a differential of 03 means that the summer fan temperature will be 03°C above the DAY setting. Therefore there is no risk of the DAY temperature being higher than the FAN setting.

SET DAY PERIOD
TEMP: 22.0°C

FROST PROTECTION
1 > ON or 2 > OFF

SET NIGHT PERIOD
TEMP: 05.0°C

SUMMER FAN
DIFFERENTIAL: XX

2) DATA

This section is where you are able to set the daily switching periods. There are 3 switching periods per day available.

When you select DATA, you are presented with an additional screen over the standard programming mode. This screen gives you the ability to copy the switching time data to other IQ+s on the network.

Select 1 to program the switching times.
Select 2 to begin copying the times

"SWITCH TIMES"
1 > SET 2 > COPY

When you press 2 for Copy,
you are prompted with this screen.

"COPY TIMES"
1 > ZONE 2 > ALL

1 > Zone. This allows you to select a zone by using the left/right arrow keys.
When you have selected the zone you wish to copy the times to, press Copy

2 > All. Selecting this allows you to copy the times to all IQ+s on the network.

3) SYSTEM

This section allows you to set the system Time/Date and the security codes for the system.

System Time

- From the Normal RUN mode press PROG and enter the user security code
- Press Prog and enter the user code
- Now press 3 for System
- Now press 1 for System time
- You are now prompted to enter the new time (Enter this in 24hr clock notation)
- When you have entered the new time, press the Enter key
- You are now prompted to enter the new date, press the Enter key
- When you have entered the new date, press the Enter key
- You are now prompted to enter the day of the week.
- When you have entered the new day, press Enter
The control will revert back to the menu screen.
Press Run to return to the normal RUN mode.

1 > SYSTEM TIME
2 > SYSTEM CODE

TIME NOW: 13.07
NEW TIME: HH:MM

DATE IS: 19-05-04
NEW DATE: DD:MM:YY

SET DAY OF WEEK
1 = Mon 7 = Sun

System Code

- Press Prog and enter the security code
- Pressing 3 for System
- Pressing 4 for Code prompts you to select the code you wish to alter

1 > Manager - This code gives access to all data settings

2 > Operator - This code gives access to Override, Fan, Summer functions.

4) HOLS

When you select HOLS, you are presented with an additional screen over the standard programming mode. This screen gives you the ability to copy holiday periods to other IQ+s on the network.

Select 1 to program the holiday periods.

Select 2 to begin copying the holidays

```
"HOLIDAYS"  
1>SET 2>COPY
```

When you press 2 for Copy, you are prompted with this screen.

```
"COPY HOLS"  
1>ZONE 2>ALL
```

1 > Zone. This allows you to select a zone by using the left/right arrow keys.

When you have selected the zone you wish to copy the Hols to, press Copy

2 > All. Selecting this allows you to copy the times to all IQ+s on the network.

Use NW Data: This allows the user to select and program a networked IQ+.

Under this mode you cannot program the Local IQ+ and the global copy function will not copy the data to the Local IQ+.

- Pressing the Back and Forward arrows keys will display the name of the IQ+s available on the system.
- When you have identified the IQ+ you wish to program, wait 5 seconds and the IQ+ will automatically display the following display.
- Follow the instructions on 2-3 for programming details in this mode.

```
"!SELECT CONTROL!"  
"  BACK  FWD  "
```

```
"1>TEMP    DATA"  
"3>SYSTEM  HOLS"
```

Network Setup Section

In order to setup the IQ+ on the network, follow the steps outlined below.

You should repeat these steps for each IQ+ on the network.

Important: Setup outstation 1 last.

- Press Program and enter the network setup code. (The network setup code can be found on the data label inside the product)
- You are now prompted to enter the station number. You should enter a two digit number for each IQ+ on the network. One IQ+ must be given the ID number 01
- You are now prompted to enter a title for this IQ+. You are able to set a title up-to 11 characters long. Enter the title by using the alphabet keys to select the required letter, and enter to accept.

```
"  **  WARNING  **"  
"ENTRY CODE:????"
```

```
"NETWORK ID NO  "  
"FOR THIS UNIT: XX"
```

```
"CONTROL NAME?"  
"XXXXXXXXXXXX  "
```

- You are now prompted to select whether you require "Local" "Lock" or "Full" access.

```
"ACCESS? LOCAL<0>"
"LOCK<1> FULL<2> "
```

"Local" = This means that the IQ+ can be used locally, but cannot be used to access other IQ+s on the network.

"Lock" = This means that the IQ+ will be locked and cannot be used

"Full" = This means that the IQ+ can be used locally, and can also be used to access other IQ+s on the network.

- You are now prompted to select whether you want to give "Remote Reset" facility. If enabled, the user will be notified when any heater goes to lockout. This information will be displayed on the IQ+s that have been setup to offer "full" access. The user will also be able to send a reset signal via the network to reset the heater which is at lockout.

```
"ALLOW REMOTE RESET?"
" N<0> Y<1> :0 "
```

Setting up Station 1 (You should do this last)

- You will be prompted to enter a Network code when setting up Outstation 1. This is a 4 digit code that you will be able to use to gain access to all the other IQ+s on the network. When you enter this code, it will be sent to all IQ+s on the system.

```
"SET NETWORK CODE"
" XXXX "
```

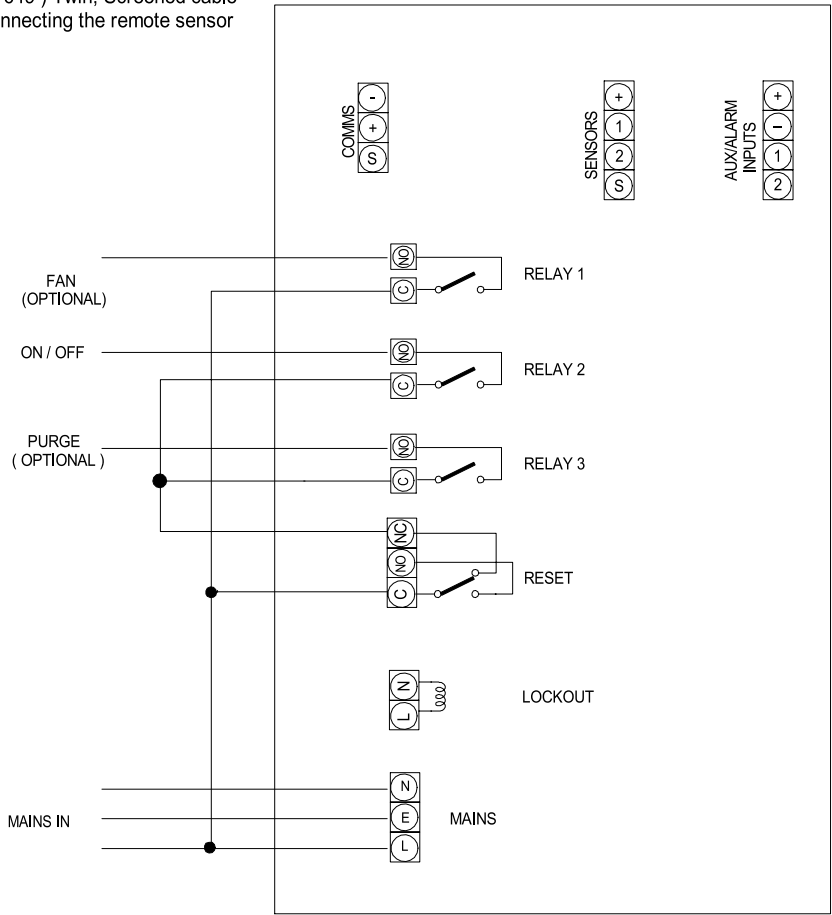
- You will be prompted to enter the number of controls on the system.

```
"ENTER NUM OF CTL"
"1 TO 30: "
```

SYSTEM SPECIFICATIONS

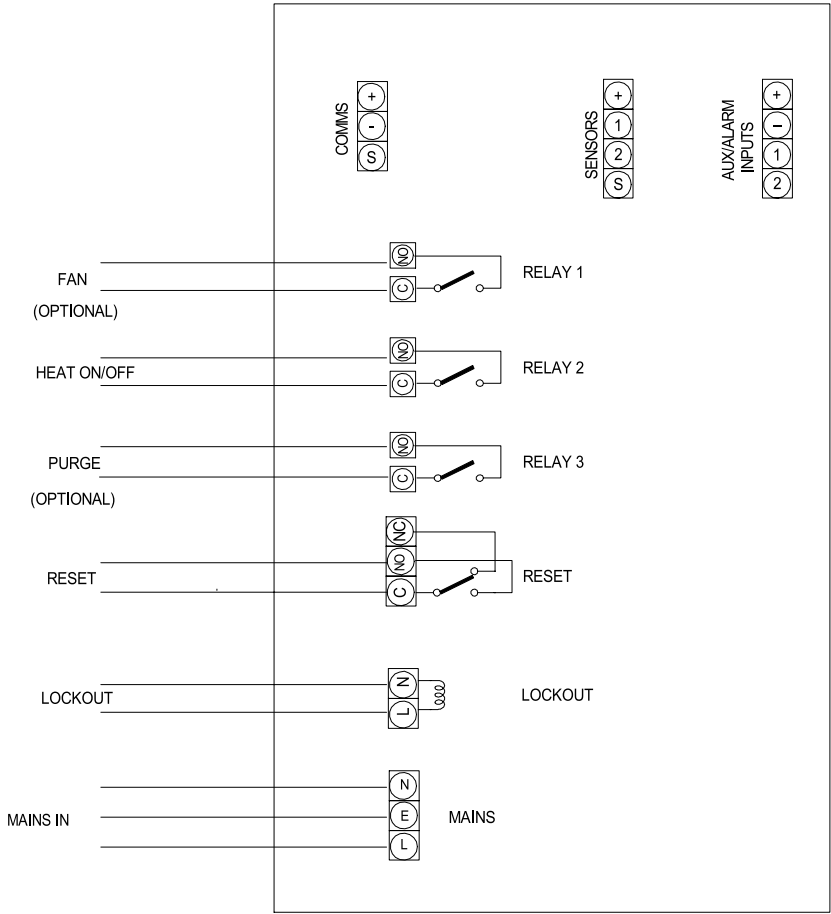
Enclosure:	ABS Fire Retardant
Dimensions:	222mm x 156mm x 61mm (Length, Height,Depth)
Weight:	1.3 kg
Relays:	Relay 1-3 normally open contacts Relay 4 normally open, normally closed contacts 10 amp 230v rating relays 1-3
Alarm Input:	230v AC. 5mA Max.
Supply:	230v AC ± 10% 50Hz
Sensors:	Only use Heatmiser Sensors. Twin screened cable (Beldon 8451)
Battery:	3 years (Replacement battery: CR2430)
Fuses:	FS1: 800mA Antisurge FS2: 500mA Quick blow FS3: 500mA Quick blow

Beldon 8451 (RS 360-649) Twin, Screened cable must be used when connecting the remote sensor and comms cables



The reset command disconnects the live supply to the heater/s for a few seconds

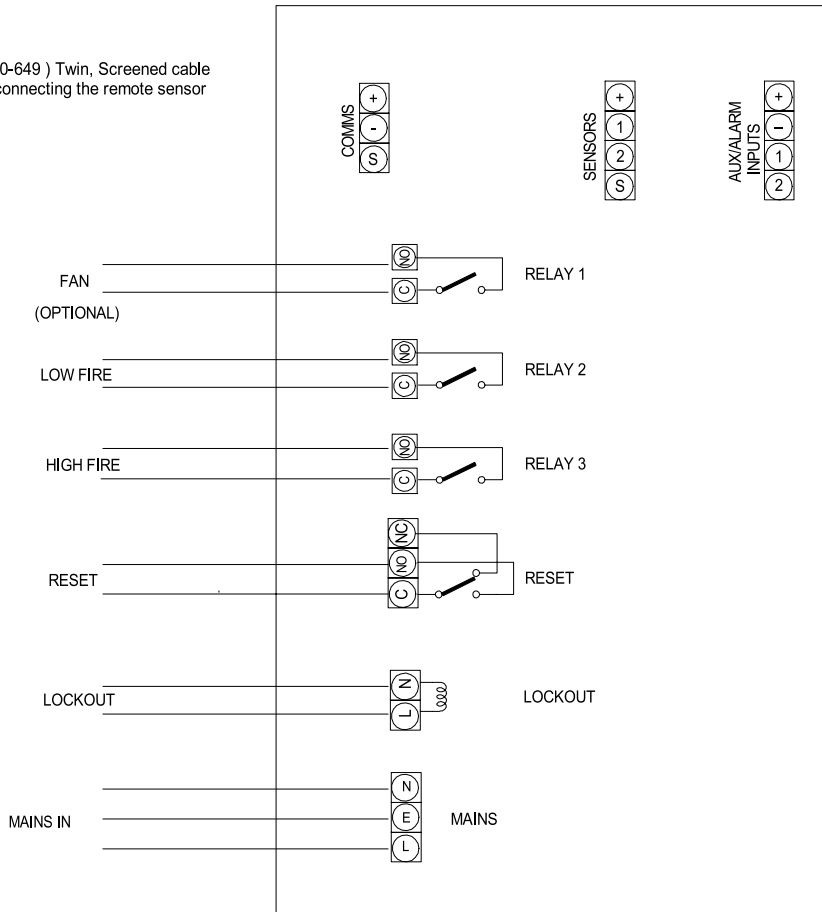
IQ+ ON_OFF RADIANT HEATER
HEATMISER UK LTD
06 JANUARY 2006



Beldon 8451 (RS 360-649) Twin, Screened cable must be used when connecting the remote sensor and comms cables

IQ+ ON/OFF WARM AIR HEATER
HEATMISER UK LTD
06 JANUARY 2006

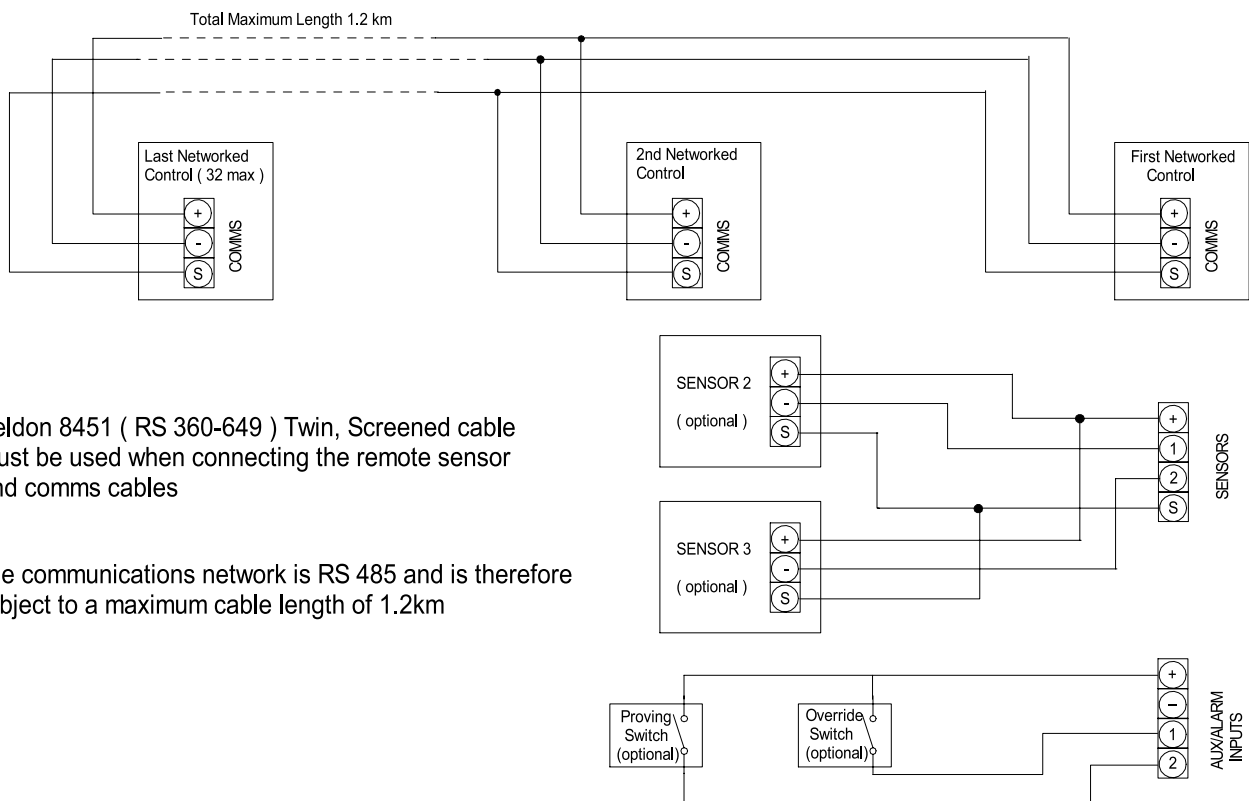
Beldon 8451 (RS 360-649) Twin, Screened cable must be used when connecting the remote sensor and comms cables



N.B. The purge facility is NOT available in high / low mode

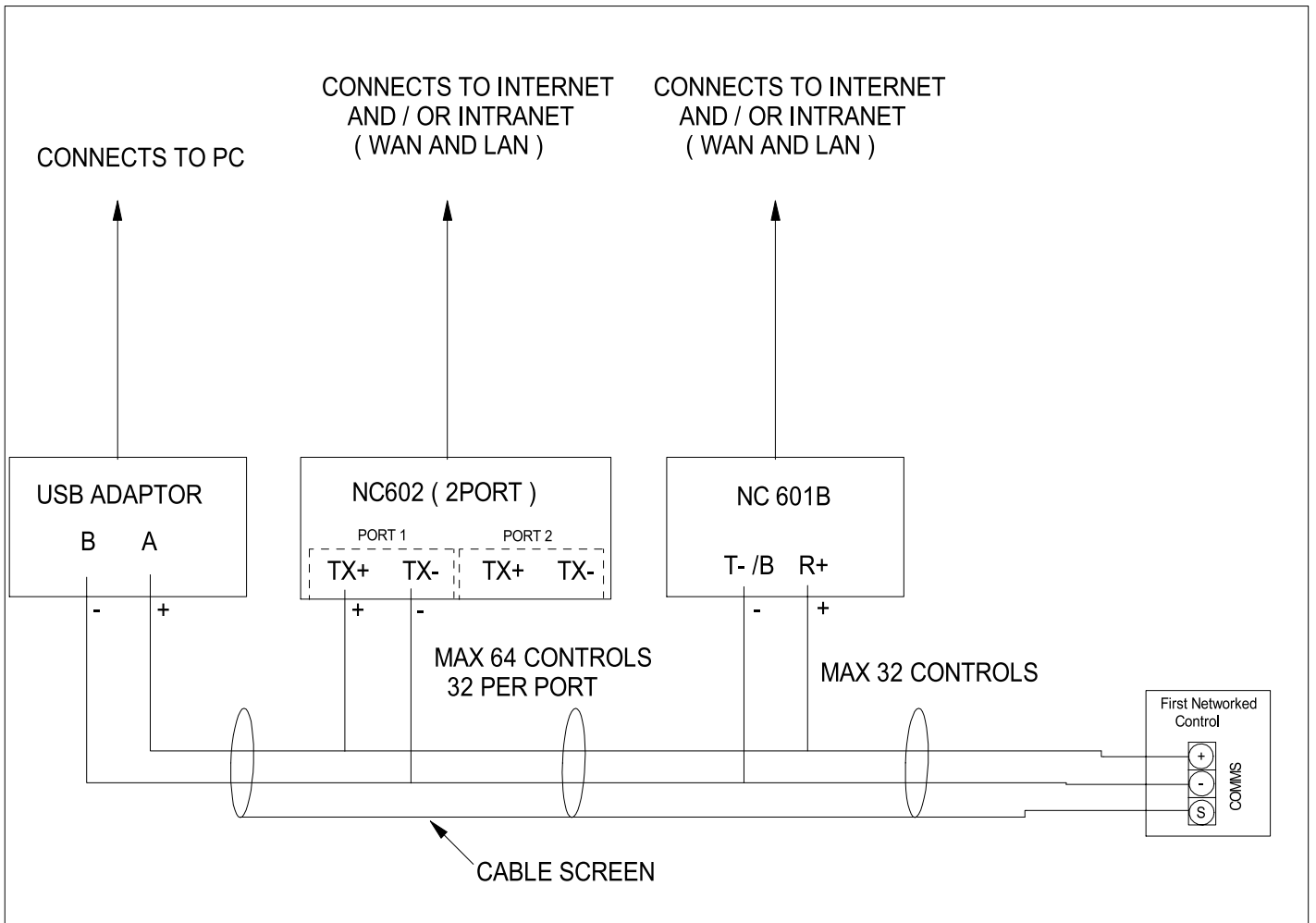
IQ+ HIGH/LOW WARM AIR HEATER
HEATMISER UK LTD
06 JANUARY 2006

SENSOR, COMMS AND AUX WIRING FOR THE IQ+



Beldon 8451 (RS 360-649) Twin, Screened cable must be used when connecting the remote sensor and comms cables

The communications network is RS 485 and is therefore subject to a maximum cable length of 1.2km



ISTRUZIONI PER L'USO



INDICE

ARGOMENTO	N. PAG.
Indice	21
Scelta della lingua	22
Terminologia standard	22
Modalità di funzionamento (RUN) normale	22
Override (Intervento manuale)	23
Modalità Estate	23
Data.....	23
Bloccaggio e resettaggio del riscaldatore.....	23
Ventilazione estiva.....	24
Modalità di programmazione	
Impostazione della temperatura	24
Impostazione dei dati	25
Impostazione dell'ora e del giorno	25
Impostazione del codice.....	26
Vacanze.....	26
Parametrizzazione del sistema	
Configurazione della funzione Override (valore massimo).....	27
Configurazione di ottimizzazione	27
Impostazione del codice.....	27
Configurazione - Tipo Di Reoglazione Desiderato	27
Configurazione / Predisposizione	
Configurazione (Tipo On/Off): Spurgo, Doppia Accensione, Interruttore Di Controllo.....	28
Configurazione (Tipo Alto/Basso): Booster a Fiamma Alta, Differenziale Alto/Basso, Doppia Accensione, Interruttore Di Controllo	29
Configurazione dell'Heatmiser IQ+ (Tipo Modulato)	30
Predisposizione Di Tutto Il Sistema	
Predisposizione ventole	31
Taratura del sensore.....	31
Modalità di manutenzione.....	31
Allarme di richiesta intervento attivato	32
Resettaggio dell'allarme di richiesta intervento.....	32
Resettaggio del sistema	32
Sezione utente di rete	33
Dati tecnici	
Caratteristiche tecniche/Taratura dei fusibili.....	36
Schemi circuitali.....	37-39

Per scegliere la lingua desiderata, premere il tasto PROG, digitare il codice 2305 e premere il tasto di invio. Poi scegliere la lingua desiderata dall'elenco.

TERMINOLOGIA STANDARD

L'ottimizzazione ad autoapprendimento è un sistema con il quale il regolatore Heatmiser calcola automaticamente l'ora di avvio per fare in modo che il fabbricato sia alla temperatura voluta all'ora programmata. Questa operazione viene eseguita monitorando i valori di lettura della temperatura interna in modo tale che, ad esempio, in condizioni atmosferiche più miti i tempi di riscaldamento vengano ridotti - effettuando così un buon risparmio energetico.

Preriscaldamento è il numero di ore per cui il regolatore può entrare in funzione prima del tempo di accensione programmato (quando si trova in modalità di ottimizzazione). Questo valore viene fissato per mezzo del codice Tecnico e non può superare le 8 ore.

Velocità di cambiamento è il tempo che occorre per aumentare di 1.0°C la temperatura del fabbricato. Il valore preimpostato in fabbrica è 20 minuti, ma il regolatore lo varia automaticamente in funzione della struttura del fabbricato.

Override (Intervento manuale): Il tasto Override sulla tastierina Heatmiser serve all'utente per escludere la zona prescelta per il numero di ore desiderato ed utilizzare l'impianto senza programmazione. Si può fissare un tempo massimo per impedire agli utenti di impostare lunghi periodi di esclusione manuale.

Periodi di accensione:

- **Giorno** significa che sul regolatore viene impostata un'ora effettiva di accensione. (Ad esempio, tra le 7 e le 8 di mattina il regolatore sarebbe nella condizione GIORNO. Al di fuori di queste ore il regolatore sarebbe nella condizione NOTTE).
- **Notte** significa che non sono state programmate ore specifiche di accensione. Durante questi periodi il regolatore è impostato sulla temperatura notturna.

Sul modello Heatmiser Mistral è di serie la funzione di **Blocco e resettaggio del riscaldatore**, che consente al riscaldatore di inviare un segnale all'Heatmiser quando si blocca (in occasione di un surriscaldamento, ecc.). Una volta rettificato il guasto sul riscaldatore, si può inviare a quest'ultimo un segnale di resettaggio annullando la condizione di blocco.

Modalità di funzionamento normale significa che il regolatore funziona normalmente e non è programmato (vale a dire visualizza Ora e Giorno sullo schermo Informazioni). È importante ricordare che quando si sono apportate modifiche al programma dell'Heatmiser, occorre premere il tasto RUN per tornare alla modalità di funzionamento normale.

Modalità di funzionamento (RUN) normale

L'Heatmiser IQ+ è dotato di uno schermo principale di modalità di funzionamento (RUN) Normale e di uno schermo Informazioni, spiegati in dettaglio qui di seguito:

Schermo di modalità di funzionamento RUN On/Off

VEN 07.58 23.0°C
RISC OFF

Questo schermo indica il giorno e l'ora, la temperatura effettiva e la condizione dei relè di riscaldamento (On = Acceso, oppure Off = Spento)

Schermo di modalità di funzionamento RUN Alto/Basso

VEN 07.58 23.0°C
BASS ON ALTA OFF

Questo schermo indica il giorno e l'ora, la temperatura effettiva e la condizione dei relè di fiamma alta e bassa.

Se si preme il pulsante Informazioni seguito dall'opzione 1 si ottiene il seguente display:

TEMP BERSAGLIO : 21.0°C
OROLOGIO: GIORNO

Questo display indica la temperatura che si vuole raggiungere assieme al periodo di accensione.

VERRIDE (INTERVENTO MANUALE)

IT

Sull'Heatmiser IQ+ si può operare una sovrapposizione manuale nella condizione giorno o notte per consentire il funzionamento dell'impianto senza programmazione. La durata di tempo massima d'intervento manuale sull'apparecchio deve essere impostata dall'installatore.

Per programmare un periodo di sovrapposizione manuale

- Dalla modalità di funzionamento (RUN) Normale. Premere il tasto Override e digitare il codice di sicurezza, se necessario.
- Poi premere 1) per accedere alla modalità di Override (Sovrapposizione manuale).
- Poi selezionare 1 o 2 per eseguire una sovrapposizione manuale sulla zona prescelta: ON (1) oppure OFF(2).
- Adesso occorre inserire la durata del periodo di sovrapposizione manuale.
- Se la zona prescelta dovesse essere ad una temperatura superiore, sullo schermo apparirà la dicitura che segue. Ricordare che con la funzione Override si sovrappone manualmente il tempo e non la temperatura. Questo messaggio di errore appare anche se il tempo programmato di sovrapposizione manuale supera il valore massimo d'impostazione.
- A questo punto lo schermo di stato indica che la zona in questione è stata messa in una condizione di sovrapposizione manuale.

Lun 13:06 20.0C
Orologio: GIORN

1 > MODO OVERRIDE
2 > MODO ESTATE

OVERRIDE SU
1 > ON o 2 > OFF

IMPOST. OVERRIDE
MASSIMO (04) : 03

**ATTENZIONE **
DATI NON VALIDI

Lun 13:06 20.0C
Stato: OVERRIDE

! Per cancellare un periodo di sovrapposizione manuale ripetere le operazioni appena descritte, scegliendo 2 per disattivare (OFF) e ridurre poi a 00 la durata del periodo di override.

MODALITÀ ESTIVA

Per attivare il programma Estivo, premere il tasto Override/Estate e la posizione 2 per selezionare Estate.

1 > MODO OVERRIDE
2 > MODO ESTATE

In questo modo si porta il regolatore nella modalità operativa Estate, il che significa che la temperatura viene regolata sui valori impostati per la Notte.

Per cancellare, ripetere l'operazione appena descritta.

DATA

Per visualizzare l'ora e il giorno correnti:

- Premere INFO
- Premere 2 per ottenere la data.

12.13.49
SAB 11-12-02

BLOCCO E RESETTAGGIO DEL RISCALDATORE

All'Heatmiser si può collegare un'alimentazione di rete dalla connessione di blocco del riscaldatore, in modo da avere un'indicazione a distanza di un guasto. Una volta rettificato il guasto sul riscaldatore, premendo RESET sulla tastiera si invia a quest'ultimo un segnale di resettaggio per annullare la condizione di blocco. Questa funzione presenta notevoli vantaggi nel caso di riscaldatori installati in posizioni difficili da raggiungere.

RESTAGGIO RISCALDATORE **(Senza indicazione di blocco)**

IT

Per i riscaldatori senza blocco a distanza, si può usare l'Heatmiser per inviare un segnale di resettaggio a distanza.

Per inviare un resettaggio in questo caso.

Premere il pulsante RESET

Premere 3 per RESET

Il relé del resettaggio si attiverà per un secondo

1 > Info 2 > Data
3 > Reset Blocco

Ventilazione estiva manuale

Purché i riscaldatori installati siano muniti di ventilazione estiva, l'Heatmiser può attivare la ventola nei mesi estivi.

- Premendo il tasto FAN (VENTILATORE) sullo schermo appare la dicitura che segue.
- A questo punto occorre premere il tasto di INVIO o, se lo si desidera, si può interrompere l'esecuzione di questa operazione premendo il tasto DELETE (ELIMINA).

VENTIL?
INVIA CONFERMA



Per disattivare la ventola, ripetere l'operazione appena descritta.

La Ventilazione Estiva Manuale non è disponibile se sono state attivate la ventilazione costante o la ventilazione estiva. Queste opzioni sono spiegate più avanti nel manuale.

MODALITÀ PROGRAMMA

Dallo schermo di funzionamento (RUN) Normale, premendo il tasto PROG sullo schermo appare la dicitura che segue:

** ATTENZIONE **
INSER.COD.: ????

Per poter accedere all'Heatmiser occorre anzitutto inserire l'opportuno codice. Questo codice è impostato su 0000 in fabbrica, ma l'utente lo può cambiare in qualsiasi momento per avere la massima garanzia di sicurezza. Questo procedimento viene spiegato al paragrafo 4 (Codice).

1) TEMPERATURA

Questa sezione serve a cambiare i valori d'impostazione della temperatura.

Questo è il menu dei DATI

1 > TEMP 2 > DATI
3 > SISTEM 4 > VACNZ.

Premendo 1 per avere la TEMPERATURA sullo schermo appare la dicitura che segue.

- Adesso occorre inserire la temperatura richiesta per il GIORNO. (Esempio: 22.0). Questa temperatura deve essere inserita utilizzando tre cifre.
- Una volta completato, premere il tasto d'invio (Enter).
- A questo punto si può scegliere di avere la funzione di Protezione dal Gelo. Selezionando OFF si viene ricondotti al menu dei DATI.
- Selezionando ON si può scegliere un valore di temperatura impostato per la NOTTE.

IMPOSTA NOTTE
TEMP: 22.0 C

PROTEZIONE GELO
1 > ON 0 2 > OFF

IMPOSTA GIORNO
TEMP: 05.0 C

La temperatura della ventilazione estiva viene calcolata impostando un valore differenziale. Ad esempio, un differenziale di 03 significa che la temperatura della ventilazione estiva sarà di 03°C superiore al valore DIURNO impostato. Non si corre così il rischio che la temperatura DIURNA superi il valore impostato per la ventilazione estiva.

VENT. ESTIVA
DIFFERENZIALE : XX

- Quando si è impostata la temperatura desiderata per la notte, premere il tasto di invio e successivamente il tasto RUN per tornare alla modalità di funzionamento normale.

2) DATI

La sezione DATI è quella in cui si possono impostare i periodi di accensione quotidiani. Sono disponibili 3 periodi di accensione al giorno.

- Premere il tasto PROG e digitare il codice di sicurezza.
- Poi premere 2 per inserirsi nel menu dei DATI.

1) TEMP 2) DATI
3) SISTEM 4) VACNZ.

A questo punto si può vedere sullo schermo che occorre impostare il periodo di accensione 1 per il lunedì. Utilizzando l'orologio di 24 ore, digitare l'Ora di Inizio desiderata. (Esempio: 08:00).

LUN PERIODO : 01
I:HH:MM A:HH:MM

Adesso premere il tasto di invio per accettare l'Ora di Inizio e per spostare il cursore sull'impostazione dell'Ora di Arresto.

Si può programmare l'Ora di Arresto desiderata, ad esempio le 17:00. Non dimenticare di usare l'orologio di 24 ore. Una volta ultimato, premere il tasto di invio per accettare il periodo di accensione programmato e per spostarsi sul Periodo 2 di lunedì.

Per programmare altri periodi

A questo punto si può programmare il Periodo 2 di lunedì esattamente allo stesso modo. Una volta completato, premere il tasto d'invio (Enter).

LUN PERIODO: 02
1) I:21:00 A:23:00

Se non occorrono tutti e tre i periodi di accensione, basta lasciare l'indicazione delle ore su HH:MM e questo periodo verrà ignorato.

LUN PERIOD : 3
1) I:HH:MM A:HH:MM

A questo punto premere il tasto di invio per spostarsi sui periodi di accensione del martedì.

Si possono programmare i periodi di accensione del martedì esattamente allo stesso modo.

MAR PERIODO: 01
1) I:HH:MM A:HH:MM

Se i periodi di accensione dovessero essere identici per il martedì, si può premere il tasto COPY che provvederà a copiare tutti i tempi di accensione del giorno precedente. Così, ad esempio, se si dovesse premere il tasto COPY sul Periodo 1 del martedì, verrebbero copiati tutti i tempi di accensione del lunedì, e il programma dell'Heatmiser si sposterebbe sul mercoledì.

COPIA OGNI DATO
DA LUN a MAR

Sullo schermo appare una dicitura simile a questa . . . :

! Per correggere eventuali errori commessi, usare il tasto CANC.
Se in qualsiasi momento si preme il tasto d'invio, vengono conservati i dati d'impostazione correnti.

Sistema

Questa sezione consente di impostare l'ora e il giorno ed i codici di sicurezza del sistema.

Ora del sistema

- Dalla modalità di funzionamento (RUN) Normale, premere il tasto PROG e digitare il codice di sicurezza dell'utente.
- Premere PROG e digitare il codice dell'utente
- Adesso premere 3 per portarsi sul Sistema
- Adesso premere 1 per portarsi sull'ora del sistema
- A questo punto all'operatore viene chiesto di inserire la nuova ora (Usare per questo l'orologio di 24 ore)
- Una volta impostata la nuova ora, premere il tasto di invio (Enter).
- A questo punto all'operatore viene chiesto di inserire la data del sistema. (Il formato della data è GG:MM:AA)
- Una volta impostata la nuova data, premere il tasto di invio (Enter).

1 > ORA SISTEMA
2 > COD SISTEMA

ORA CORR.: 13.07
NUOVA ORA: HH:MM

DATA: 19-05-03
NUOVA DATA: GG:MM:AA

- A questo punto all'operatore viene chiesto di inserire il giorno della settimana.

IMPOSTA GIORNO
1 ==LUN- 7 ==DOM

- Una volta impostato il nuovo giorno, premere il tasto di invio (Enter). Il regolatore ritornerà allo schermo del menu. Premere RUN per tornare alla modalità di funzionamento normale.

Codice sistema

- Premere il tasto PROG e digitare il codice di sicurezza.
- Premere 3 per portarsi sul Sistema
- Se si preme 4 per avere il Codice, viene richiesto di selezionare il codice che si desidera modificare.

1 > Codice Manager - Questo codice permette di accedere a tutti i valori d'impostazione.

2 > Codice Operatori - Questo codice permette di accedere alle funzioni Override ed Estate.

1 > COD. MANAGER
2 > COD. OPERATORE

Per cambiare il codice, basta digitare il nuovo codice quando viene richiesto.

COD. CORR.: 0000
NUOVO COD.:????

Premere RUN per tornare alla modalità di funzionamento normale.

! Impostando il codice Manager e quello Operatori sullo stesso valore si disabilita il codice Operatori. (vale a dire, per accedere alla sezione Operatori non occorre alcun codice)

Registrazione

L'Heatmiser IQ+ registra le ore di funzionamento e il resoconto cronologico delle temperature e delle operazioni del bruciatore. Le ore di funzionamento sono la somma di un totale settimanale e vengono memorizzate per i 12 mesi precedenti. Il resoconto cronologico delle temperature e delle operazioni del bruciatore è registrato ogni 15 minuti e viene anch'esso registrato per 12 mesi.

Premendo 1 appare il numero di ore complessive di funzionamento di questa settimana. Premendo la freccia sinistra si possono passare in rassegna le settimane precedenti.

Utilizzando la freccia destra si scorre per tornare alla data attuale.

1 > ORE DI FUNZIONAMENTO
2 > TEMP & BRUCIATORE

Premendo 2 compare l'ultima temperatura registrata e lo stato del bruciatore. Premendo la freccia sinistra si possono passare in rassegna le registrazioni (intervalli di 15 minuti). Utilizzando la freccia destra si scorre per tornare all'ultima registrazione.

Vacanze

Questa è la sezione che serve a impostare quei periodi di vacanza durante l'anno in cui non è richiesto il riscaldamento nella zona in questione.

Si possono impostare cinque periodi di vacanza. Per fare questo, seguire le istruzioni indicate qui sotto.

- Premere il tasto Program e selezionare l'opzione 4.
- A questo punto all'operatore viene chiesto di inserire il primo periodo di vacanza. Si deve inserire la data d'inizio nel formato GG-MM-AA. Una volta programmata la data d'inizio della vacanza, premere il tasto di invio.
- A questo punto occorre programmare la durata della vacanza. Calcolare il numero di giorni in cui si vuole il riscaldamento spento, contando dal primo giorno di vacanza sino all'ultimo. Digitare questa cifra.
- Una volta impostato il primo periodo di vacanza, premere il tasto di invio.
- Viene visualizzato il secondo periodo di vacanza.

PERIODO VACANZ 1
S:00-00-00 L:00

Programmare allo stesso modo i periodi di vacanza restanti. Quando tutti i periodi di vacanza sono stati programmati, il sistema torna al menu Dati.

Osservazione importante:

1. Se in qualsiasi momento si preme il tasto d'invio, vengono conservati i dati d'impostazione correnti.

Per immettersi nella sezione tecnica, premere il tasto del programma e digitare il Codice Tecnico. (Questo codice si trova su un'etichetta affissa sul pannello frontale o sul retro della tastiera. L'etichetta deve essere rimossa dopo che il regolatore è stato messo in esercizio).

A questo punto sullo schermo appare una dicitura come quella qui illustrata.

1 > OVER 2 > OTTI
3 > COD. 4 > SETUP

1) OVER

Questa sezione consente di impostare un limite per la sovrapposizione manuale.

IMPOST. OVERRIDE
TEMPO MAX: 08

Digitare due cifre (es. 08 per 8 ore) e premere il tasto di invio per accettare questo valore.

2) OTTI

Con l'Heatmiser Mistral è possibile decidere se si vuole l'ottimizzazione. (Per ulteriori informazioni vedere il paragrafo Terminologia).

Se si desidera l'ottimizzazione selezionare 1 per ottenere ON e continuare poi a impostare i parametri che seguono.

OTTIMIZZAZIONE?
1 > ON o 2 > OFF

Selezionando OFF si viene ricondotti al menu di Configurazione e l'ottimizzazione viene disattivata. Questo significa che il regolatore accenderà il riscaldamento all'ora programmata e non consente alcun periodo di preriscaldamento.

Questo è il tempo che occorre per aumentare di 1.0°C la temperatura del fabbricato. Un valore medio di questo tempo è 20 minuti ma, poiché l'apparecchio è ad autoapprendimento, modifica questo parametro di 1 minuto al giorno per portarsi al valore corretto.

VELOC. CAMBIAM.
MINUTI 0/C :20

Questo è il numero massimo di ore prima dell'ora di accensione programmata, per cui l'apparecchio potrebbe entrare in funzione per portare il fabbricato alla temperatura voluta. Il valore massimo è di 8 ore, ma un valore medio è in genere di 3 ore.

IMP. PRERISCALD.
TEMPO MAX :03

3) CODICE

La sezione del codice funziona come di consueto e serve ad impostare il codice Utente.

PREDISPOSIZIONE

Questa sezione insegna a configurare il regolatore, impostare la modalità di ventilazione richiesta, abilitare o disabilitare il sensore interno e predisporre la modalità di manutenzione.

1 > CONFIG 2 > VENT
3 > SENSOR 4 > EXTRA

CONFIG (Configurazione dell'Heatmiser IQ+)

Durante il processo di configurazione viene chiesto di selezionare la funzionalità necessaria per regolare il sistema.

- Premere PROG
- Digitare il codice Tecnico
- Selezionare 4 per consentire la predisposizione
- Selezionare 1 per consentire la configurazione

Ora occorre selezionare il tipo di regolatore desiderato.

ACCESSO/SPENTO = 0
ALTO/BASO = 1 MODULATO = 2

CONFIGURAZIONE DELL'HEATMISER IQ+ (TIPO ON/OFF)

IT

SPURGO

All'operatore viene chiesto di scegliere se è necessario uno spurgo.

RICH. SPURGO?
N<0> Y<1> : 1

Selezionando N si possono aggirare i due display successivi,

Lo spurgo anticipato attiva il relè 3 per la quantità di tempo specificata prima che venga attivato il relè di riscaldamento.

ORA SPURGO ANTIC
<MINS> :00

Lo spurgo ritardato attiva il relè 3 per la quantità di tempo specificata dopo che è stato disattivato il relè di riscaldamento.

ORA SPURGO POST.
<MINS> :00

DOPPIA ACCENSIONE

Abilitando questa opzione si può usufruire della seguente funzione.

Quando il relè di riscaldamento viene attivato per la prima volta durante ogni periodo di accensione, si disattiva dopo 30 secondi. Dopo altri 10 secondi il relè viene nuovamente eccitato e funziona normalmente.

Questo avviene all'inizio di ogni periodo di accensione e serve a far sì che il riscaldatore si accenda quando è installato in zone con un elevato livello di condensa.

DOPPIA ACCENS ?
N<0> Y<1> : 0

Se è stata abilitata la funzione di spurgo ritardato, questa verrà attivata prima che il riscaldatore si riaccenda. Se non è stata selezionata la funzione di spurgo ritardato, passeranno 10 secondi prima che il riscaldatore si accenda.

INTERRUTTORE DI CONTROLLO

All'operatore viene ora chiesto di indicare se sul sistema è montato un interruttore di controllo.

INTERR CONTROLL?
N<0> Y<1> : 0

Quando vi è una richiesta di riscaldamento, l'Heatmiser verifica anzitutto che l'interruttore di controllo non sia chiuso. Il relè viene poi eccitato provocando, se necessario, lo spurgo anticipato. A questo punto l'interruttore di controllo si chiude ed viene eccitato il relè 2.

Una volta terminata la procedura di configurazione, si viene ricondotti allo schermo del menu di predisposizione. A questo punto si può premere RUN per tornare alla modalità di funzionamento normale, oppure si può continuare a programmare gli altri valori d'impostazione selezionando un'altra opzione del menu.

LIMITE TEMPERATURA SU/GIU

Ora occorre inserire il limite dei tasti della temperatura Su/Giù. Con un limite impostato su 02, è possibile aumentare/diminuire la temperatura impostata di 2°C.

LIMITE TEMP UTENTE
TEMP: 00°C

CONFIGURAZIONE DELL'HEATMISER IQ+ (TIPO ALTO/BASSO)

IT

BOOSTER A FIAMMA ALTA

Abilitando questa opzione si può usufruire della seguente funzione.

BOOSTER FIAMMA?
N<0> Y<1> :0

Ogni volta che vi è una richiesta di riscaldamento, viene attivato sia il relè di fiamma alta che quello di fiamma bassa. Dopo 1 minuto, il sistema controlla per vedere se sono necessari entrambi i relè. Se il valore di temperatura rientra nel differenziale programmato, il relè di fiamma alta si disattiva.

DIFFERENZIALE ALTO/BASSO

Quando l'Heatmiser Mistral viene utilizzato per regolare un riscaldatore a due stadi, si deve impostare il valore differenziale tra fiamma alta e fiamma bassa (o differenziale Mistral).

- A questo punto all'operatore viene chiesto di inserire il differenziale HILO.
- Un differenziale di valore 4 ed una temperatura richiesta di 20.0°C significa che il regolatore attiva una fiamma bassa ed una fiamma alta sino a quando la temperatura effettiva raggiunge i 16.0°C. A questo punto la fiamma alta si spegne.

IMPOSTA DIFFER.
HILO:04

DOPPIA ACCENSIONE

Abilitando questa opzione si può usufruire della seguente funzione.

Quando il relè di riscaldamento viene attivato per la prima volta durante ogni periodo di accensione, si disattiva dopo 30 secondi. Dopo altri 10 secondi il relè viene nuovamente eccitato e funziona normalmente.

Questo avviene all'inizio di ogni periodo di accensione e serve a far sì che il riscaldatore si accenda quando è installato in zone con un elevato livello di condensa.

DOPPIA ACCENS ?
N<0> Y<1> :0

INTERRUTTORE DI CONTROLLO

All'operatore viene ora chiesto di indicare se sul sistema è montato un interruttore di controllo.

INTERR CONTROL?
N<0> Y<1> :0

Quando vi è una richiesta di riscaldamento, l'Heatmiser verifica che l'interruttore di controllo sia chiuso. Quando l'interruttore viene chiuso, si attivano i relè di uscita (fiamma alta/bassa).

LIMITE TEMPERATURA SU/GIU

Ora occorre inserire il limite dei tasti della temperatura Su/Giù. Con un limite impostato su 02, è possibile aumentare/diminuire la temperatura impostata di 2°C.

LIMITE TEMP UTENTE
TEMP: 00°C

CONFIGURAZIONE DELL'HEATMISER IQ+ (TIPO MODULATO)

IT

Nel modo modulato, è possibile impostare una banda di temperatura entro la quale il regolatore avrà una capacità di modulazione che va da 10v a 0v. L'emissione di calore rimane attiva.

Ora occorre impostare il valore del differenziale. Con un differenziale di 02, il Mistral inizia a modulare di 2°C sotto la temperatura impostata.

INSERIRE MODULAZIONE
DIFFERENZA: 04

Ora occorre selezionare se è necessario uno spurgo. Selezionando N si possono aggirare i due display successivi.

RICHIESTO SPURGO
N<0> S<1>:1

Lo spurgo anticipato attiva il relè 3 per la quantità di tempo specificata prima che venga attivato il relè di riscaldamento successivo.

ORA SPURGO ANTICIPATO
<MINS>: 00

Lo spurgo ritardato attiva il relè 3 per la quantità di tempo specificata prima che venga attivato il relè di riscaldamento successivo.

ORA SPURGO RITARDATO
<MINS>: 00

DOPPIA ACCENSIONE

Abilitando questa opzione si può usufruire della seguente funzione.

Quando il relè di riscaldamento viene attivato per la prima volta durante ogni periodo di accensione, si disattiva dopo 30 secondi. Dopo altri 10 secondi il relè viene nuovamente eccitato e funziona normalmente.

Questo avviene all'inizio di ogni periodo di accensione e serve a far sì che il riscaldatore si accenda quando è installato in zone con un elevato livello di condensa.

DOPPIA ACCENSIONE
N<0> S<1>: 0

Se è stata abilitata la funzione di spurgo ritardato, la ventola verrà disattivata prima che il riscaldatore si riaccenda

INTERRUTTORE DI CONTROLLO

All'operatore viene ora richiesto di indicare se sul sistema è montato un interruttore di controllo.

INTERRUTTORE CONTROLLO?
N<0> S<1>: 0

Quando vi è una richiesta di riscaldamento, l'Heatmister verifica anzitutto che l'interruttore di controllo non sia chiuso. Viene quindi eccitato il relè 3 provocando, se necessario, lo spurgo anticipato. A questo punto l'interruttore di controllo si attiva e viene eccitato il relè 2.

Una volta terminata la procedura di configurazione, si viene ricondotti allo schermo del menu di impostazione. A questo punto si può premere RUN per tornare alla modalità di funzionamento normale, oppure si può continuare a programmare gli altri valori d'impostazione selezionando un'altra opzione del menu.

LIMITE TEMPERATURA SU/GIU'

Ora occorre inserire il limite dei tasti della temperatura Su/Giù. Con un limite impostato su 02, è possibile aumentare/diminuire la temperatura impostata di 2°C

LIMITE TEMP UTENTE
TEMP: 00°C

VENTILAZIONE

L'Heatmiser IQ+ ha a disposizione due sistemi di ventilazione.

NO<0> VENT. C<1>
VENT. EST.<2> : 0

Ventilazione costante: Sul modello Heatmiser IQ+ esiste la possibilità di avere una Ventilazione Costante. Se è attivato, il relè della ventola sarà permanentemente in posizione ON durante i periodi di accensione programmata e funzionerà secondo i valori impostati dall'ottimizzatore.

Ventilazione estiva: Sul modello Heatmiser IQ+ esiste la possibilità di avere una ventilazione estiva automatica. Se la temperatura effettiva dovesse salire oltre il valore prestabilito per la ventilazione estiva, l'Heatmiser attiva automaticamente il relè della ventola per dare aria ai locali. Se si seleziona la ventilazione estiva, all'operatore viene chiesto di digitare un valore differenziale. Questo valore è il numero di gradi al di sopra della temperatura DIURNA a cui viene attivato il relè della ventilazione estiva. Pertanto, con una temperatura diurna di 20.0 gradi e un differenziale di 03 il relè della ventilazione estiva verrà attivato a 23.0°C. Il differenziale minimo è 02 e quello massimo è 06°C

La scelta dell'opzione desiderata aggiunge allo schermo un ulteriore set point di temperatura. Questo consente di predisporre un valore di temperatura per la ventilazione estiva. Vedere "Impostazione della temperatura" a pag. 18.

SENSORE

Sul modello Heatmiser IQ+ è montato un sensore interno che è disattivato come preimpostazione di fabbrica. Per attivarlo, selezionare 1 quando è richiesto.

SENSORE INTERNO
N<0> Y<1> : 0

L'Heatmiser IQ+ ha un dispositivo di mediazione dei sensori. Quando vengono rilevati due sensori qualsiasi (interni o remoti) il sistema calcola automaticamente e indica il valore di lettura medio.

A questo punto all'operatore viene chiesto di tarare il primo sensore. Se è stato attivato il sensore interno, si tara questo per primo seguito dal sensore remoto n. 1.

TARATURA (20)
INTERNO : 23.0

Se non è stato attivato il sensore interno, viene chiesto di tarare il primo e poi il secondo sensore remoto.

TARATURA (19)
REMOTO 1 : 20.0

Per la taratura, basta digitare il valore di lettura del nuovo sensore dopo i due punti.

MODALITÀ MANUTENZIONE

- A questo punto all'operatore viene chiesto di:
 - > Configurare la modalità di manutenzione, oppure
 - > Azzerare il numero di ore complessive di funzionamento memorizzate nell'apparecchio.
- Premendo 1 per configurare l'apparecchio, sullo schermo appare la dicitura che segue, con la possibilità di scegliere tra l'attivazione (On) o la disattivazione (Off) della modalità di Manutenzione.
- A questo punto viene chiesto di inserire il numero di ore per cui il sistema può girare prima che venga attivato l'allarme che richiede un intervento di manutenzione. Premere il tasto di invio per accettare il valore programmato.
- Adesso occorre digitare il numero telefonico completo che si desidera visualizzare quando viene attivato l'allarme di richiesta di intervento.

1>CONFIGURAZIONE
2>RESET DATI

MOD. MANUTENZ.
1 > ON o 2 > OFF

MOD. MANUTENZ.
ORE FUNZ.: 0000

MOD. MANUTENZ.
TEL.: 00000000

Allarme di richiesta intervento attivato.

Quando è stato attivato un allarme di richiesta intervento, per 5 secondi ogni minuto viene visualizzato uno schermo di avvertimento. Si può cancellare questo avvertimento premendo il tasto RESET mentre l'avvertimento è ancora sullo schermo.

Da ricordare che non si riceveranno altri allarmi di questo tipo sino a quando il comando non è stato resettato da un tecnico.

Resettaggio dell'allarme di richiesta intervento

Dopo che è stato attivato un allarme di richiesta intervento, si può azzerare il numero di ore senza dover riprogrammare il numero telefonico selezionando Reset sullo schermo di Configurazione/Resettaggio.

RESETTAGGIO

Questa funziona ripristina i parametri dell'Heatmiser Economy sui valori preimpostati in fabbrica.

- Per questa operazione, premere il tasto PROG e inserire il Codice Tecnico.
- Poi selezionare 4 per consentire la Configurazione, e a questo punto sullo schermo appare la scritta:
- Premere 2 per Reset
- A questo punto, se si preme il tasto di invio, si cancellano tutti i dati. Per interrompere l'esecuzione di questa operazione premere il tasto CANCELLA.

1 > TARATURA 2 > DATI RESET

RESET OGNI DATO INVIA CONFERMA

HEATMISER IQ+

Sezione utente di rete

Spiegazione del sistema:

- Si possono collegare insieme fino a 30 IQ+ per consentire un controllo centralizzato del sistema di riscaldamento.
- Il collegamento dati si utilizza solo quando si copiano/visualizzano dati da un IQ+ connesso in rete. Questo significa che, se il collegamento dati non dovesse funzionare, il sistema di riscaldamento continuerebbe a funzionare normalmente.
- I particolari sistemi di rete IQ+ non prevedono l'esistenza di un tastierino principale. Ogni IQ+ può essere impostato in modo da consentire accesso totale in rete, accesso solo locale o nessun accesso (tastierino bloccato)
- Solo 1 IQ+ può essere programmato in rete in qualsiasi momento.

Attivazione delle funzioni della modalità di funzionamento (RUN) Normale su un IQ+ connesso in rete

Le funzioni della modalità di funzionamento (RUN) normale sono:

1. Ventilazione
2. Override (Intervento manuale)
3. Modalità estiva
4. Visualizzazione punto di regolazione e stato orologio marcatempo
5. Visualizzazione ora e data correnti
6. Resettaggio di una condizione di blocco
 - Utilizzare i tasti con le frecce sinistra/destra per passare in rassegna le funzioni della rete. Mentre si scorre attraverso la rete, sarà visualizzato il nome di ogni IQ+.
 - Premere Prog
 - Il display informa l'utente che il regolatore sta entrando in MODALITA' REMOTA
 - Ora l'utente può eseguire qualsiasi operazione in modalità (Run) normale come descritto alle pagine 2-4 di questo manuale

NB: In modalità (Run) normale, si verifica quanto segue.

Dopo 4 minuti di inattività, la connessione remota si disattiva

E' possibile scollegarsi dal IQ+ connesso in rete premendo il tasto PROG. Per chiudere la connessione di rete, premere RUN.

Programmazione di un IQ+ connesso in rete

Per iniziare a programmare un IQ+ connesso in rete, seguire le operazioni seguenti:

- Premere Programma e inserire il "Codice di Accesso in Rete". Il codice di accesso in rete si trova sulla targhetta dati all'interno del prodotto.
- Appaiono ora due opzioni.

1 USA DATI LOCALI 2 USA DATI RETE

Usa dati locali: questa opzione consente di programmare il IQ+ locale e di copiare i dati su un IQ+ connesso in rete.

Appare ora il menu seguente.

1) TEMP 2) DATI 3) SISTEMA 4) VACANZE
--

1) TEMP

Questa sezione serve a cambiare i valori d'impostazione della temperatura.

- Adesso occorre inserire la temperatura desiderata per il periodo del GIORNO (esempio: 22.0) Questa temperatura deve essere inserita utilizzando tre cifre.

IMPOSTA PERIODO GIORNO TEMP: 22.0°C
--

- Al termine dell'operazione, premere il tasto d'invio (Enter). Selezionando ON si può scegliere un valore di temperatura impostato per la NOTTE.
- Quando si è impostata la temperatura desiderata per la notte, premere il tasto d'invio (Enter).
- Se è stata abilitata la ventilazione estiva, si deve inserire la temperatura. La temperatura della ventilazione o estiva viene calcolata impostando un valore differenziale. Ad esempio un differenziale di 03 significa che la temperatura della ventilazione estiva sarà di 03°C superiore al valore DIURNO impostato. Non si corre così il rischio che la temperatura DIURNA superi il valore impostato per la VENTILAZIONE.

PROTEZIONE GELO
1 > ON O 2 > OFF

IMPOSTA NOTTE
TEMP: 05.0°C

VENTILAZIONE ESTIVA
DIFFERENZIALE: XX

2) DATI

Questa è la sezione in cui si possono impostare i periodi di accensione quotidiani. Sono disponibili 3 periodi di accensione al giorno.

Quando si seleziona DATI, sulla modalità di programmazione standard appare uno schermo aggiuntivo. Questo schermo dà la possibilità di copiare i dati dei tempi di accensione su altri IQ+ della rete.

Selezionare 1 per programmare i tempi di accensione.
Selezionare 2 per iniziare a copiare i tempi.

TEMPI ACCENSIONE
1 > IMPOSTA 2 > COPIA

Quando si preme 2 per Copia, appare questo schermo.

COPIA TEMPI
1 > ZONA 2 > TUTTI

- 1 > Zona. Questa funzione consente di selezionare una zona utilizzando i tasti con la freccia sinistra/destra. Dopo aver selezionato la zona in cui si desidera copiare i tempi, premere Copia.
- 2 > Tutti. Selezionando questa funzione è possibile copiare i tempi su tutti i IQ+ della rete.

3) SISTEMA

Questa sezione consente di impostare l'ora e il giorno ed i codici di sicurezza del sistema.

Ora del sistema

- Dalla modalità di funzionamento (RUN) normale, premere il tasto PROG e digitare il codice di sicurezza dell'utente.
- Premere Prog e digitare il codice dell'utente.
- Ora premere 3 per portarsi sul sistema.
- Ora premere 1 per portarsi sull'ora del sistema.
- A questo punto all'operatore viene chiesto di inserire la nuova ora (Per questo usare l'orologio di 24 ore).
- Una volta impostata la nuova ora, premere il tasto di invio (Enter).
- A questo punto all'operatore viene chiesto di inserire la nuova data, premere il tasto di invio (Enter).
- Una volta impostata la nuova data, premere il tasto di invio (Enter).
- A questo punto all'operatore viene chiesto di inserire il giorno della settimana.
- Una volta inserito il nuovo giorno, premere il tasto di invio (Enter).
- Il regolatore ritorna allo schermo del menu.
- Premere Run per tornare alla modalità di funzionamento normale.

1 > ORA SISTEMA
2 > CODICE SISTEMA

ORA CORRENTE: 13.07
NUOVA ORA: HH:MM

DATA: 19-05-04
NUOVA DATA: GG:MM:AA

IMPOSTA GIORNO DELLA
SETTIMANA 1=LUN 7=DOM

Codice sistema

- Premere il tasto Prog e digitare il codice di sicurezza
- Premere 3 per portarsi sul sistema
- Premendo 1 per avere il codice, viene richiesto di selezionare il codice che si desidera modificare

1 > Manager – Questo codice permette di accedere a tutti i valori d’impostazione

2 > Operatore - Questo codice permette di accedere alle funzioni Override, Ventilazione ed Estate

4) VACANZE

Quando si seleziona VACANZE, sulla modalità di programmazione standard appare uno schermo aggiuntivo. Questo schermo dà la possibilità di copiare i periodi di vacanza su altri IQ+ della rete.

Selezionare 1 per programmare i periodi di vacanza.

Selezionare 2 per iniziare a copiare le vacanze.

VACANZE 1 > IMPOSTA 2 > COPIA

Quando si preme 2 per Copia, appare questo schermo.

COPIA VACANZE 1 > ZONA 2 > TUTTI

- 1 > Zona. Questa funzione consente di selezionare una zona utilizzando i tasti con la freccia sinistra/destra. Dopo aver selezionato la zona in cui si desidera copiare le vacanze, premere Copia.
- 2 > Tutti. Selezionando questa funzione è possibile copiare i tempi su tutti i IQ+ della rete.

Usa Dati Rete: Questa funzione consente all’utente di selezionare e programmare un IQ+ connesso in rete. In questa modalità non è possibile programmare il IQ+ locale e la funzione di copia globale non copia i dati sul IQ+ locale

- Premendo i tasti con le frecce Indietro e Avanti vengono visualizzati i nomi dei IQ+ disponibili nel sistema.
- Una volta identificato il IQ+ che si desidera programmare, attendere 5 secondi e il IQ+ mostra automaticamente il display seguente.
- Seguire le istruzioni indicate ai punti 2-3 per avere i dettagli della programmazione in questa modalità.

! SELEZIONA REGOLATORE ! * INDIETRO AVANTI *

1 > TEMP 2 > DATI 3 > SISTEMA VACANZE
--

Sezione Impostazione della Rete

Per impostare il IQ+ sulla rete, seguire le operazioni indicate qui di seguito. Ripetere queste operazioni per ogni IQ+ della rete.

Importante: Impostare per ultima la stazione remota 1.

- Premere Program e digitare il codice d’impostazione della rete. (Il codice d’impostazione della rete si trova sulla targhetta dati all’interno del prodotto)
- Ora occorre inserire il numero della stazione. Occorre digitare un numero con due cifre per ogni IQ+ della rete. Il numero identificativo 01 deve essere dato ad un solo IQ+.
- Ora occorre inserire un nome per questo IQ+. E’ possibile impostare un nome lungo fino a 11 caratteri. Inserire il nome usando i tasti dei caratteri alfabetici per selezionare la lettera desiderata, e dare l’invio per accettare.

** ATTENZIONE ** CODICE INGRESSO: ????

N. ID RETE DI QUESTO APPARECCHIO: XX

NOME DEL REGOLATORE? XXXXXXXXXX

- Ora è necessario selezionare l'accesso desiderato tra "Locale", "Bloccato" o "Totale".

ACCESSO? LOCALE <0>
BLOCCATO<1> TOTALE<2>

- "Locale" = Questo significa che il IQ+ può essere utilizzato localmente, ma non può essere usato per accedere ad altri IQ+ della rete.
- "Bloccato" = Questo significa che il IQ+ è bloccato e non può essere utilizzato
- "Totale" = Questo significa che il IQ+ può essere utilizzato localmente, e può anche essere usato per accedere ad altri IQ+ della rete.

- Ora occorre selezionare se si desidera dare la funzione di 'Resettaggio Remoto'. Se abilitata, l'utente sarà avvertito in caso di blocco di qualsiasi riscaldatore. Questa informazione apparirà sui IQ+ che sono stati impostati per offrire un accesso "totale". L'utente avrà inoltre la possibilità di inviare un segnale di resettaggio tramite la rete per resettare il riscaldatore che si è bloccato.

ABILITA RESET REMOTO?
N<0> S<1> : 0

Impostazione Stazione 1 (da fare per ultima)

- Quando si effettua l'impostazione della Stazione remota 1, occorre inserire un codice di Rete. Si tratta di un codice di 4 cifre che si potrà utilizzare per accedere a tutti gli altri IQ+ della rete. Quando questo codice è inserito, viene inviato a tutti i IQ+ del sistema.
- Ora occorre inserire il numero di regolatori del sistema.

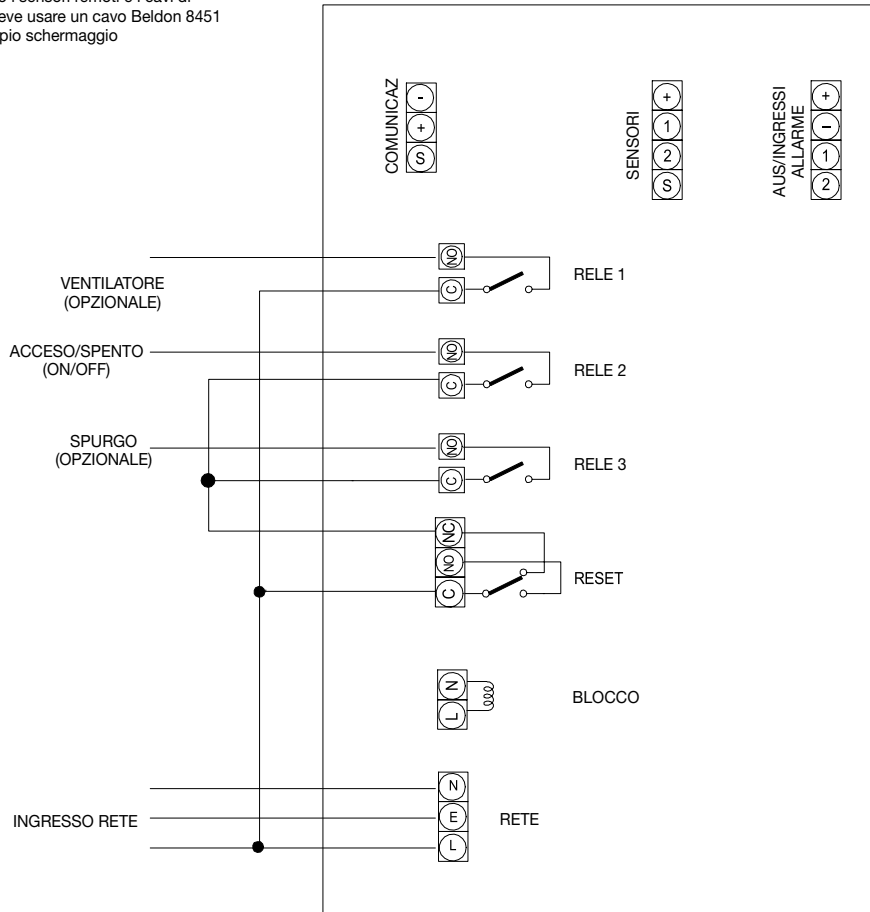
IMPOSTA CODICE RETE
XXXX

INSERIRE NUM DI REG
DA 1 A 30:

CARATTERISTICHE TECNICHE DEL SISTEMA

Contenitore:	ABS ignifugo
Dimensioni:	221mm, 156mm, 61mm
Peso:	1.3kg
Uscite relè:	
Mistral =	Relè 1 = Contatti unipolari normalmente aperti senza tensione. Relè 2 = Contatti unipolari normalmente aperti senza tensione. Relè 3 = Contatti unipolari normalmente aperti senza tensione. Reset Relè = Contatti unipolari normalmente aperti e normalmente chiusi senza tensione. Relè 1-3 a 10 amp 230 V c.a. (resistivi)
Ingresso allarme	230 V c.a. Max 5 mA
Alimentazione	230 V c.a. + 10% 50Hz
Sensori	Usare solo sensori Heatmiser. Quando si collegano i sensori Heatmiser si deve usare un cavo Beldon 8451 a doppio schermaggio. N. di catalogo RS: 360-649
Batteria di soccorso	Minimo 3 anni a 25°C

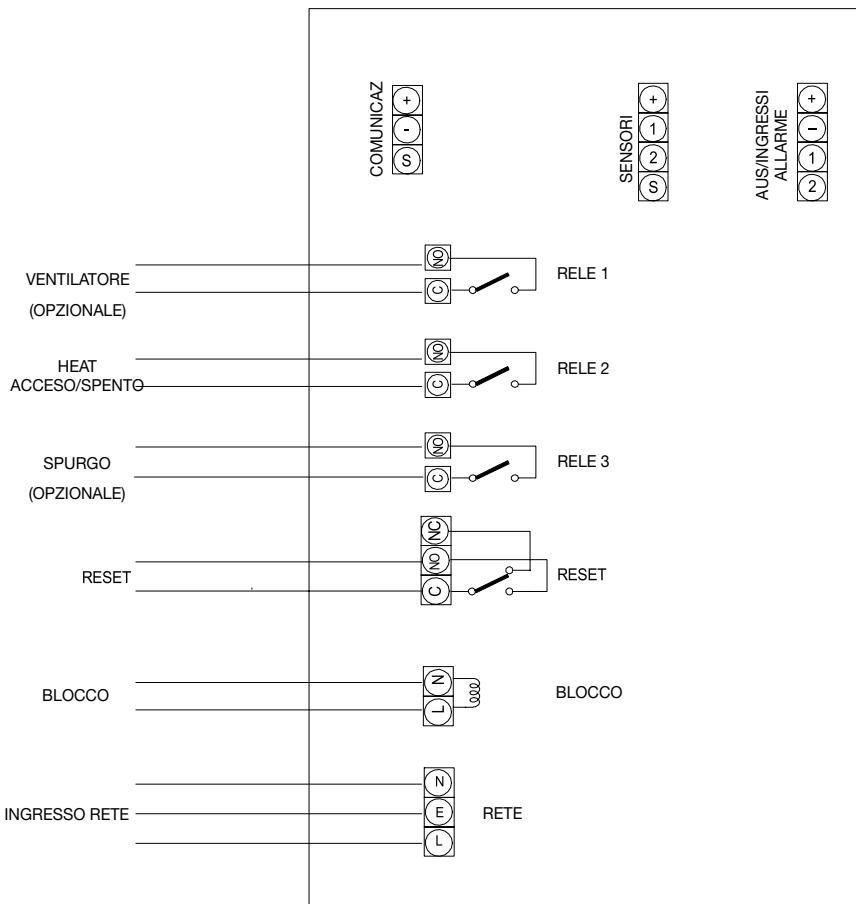
Quando si collegano i sensori remoti e i cavi di comunicazione si deve usare un cavo Beldon 8451 (RS 360-649) a doppio schermaggio



Il comando di resettaggio scollega l'uno o più riscaldatori dall'alimentazione principale per alcuni secondi

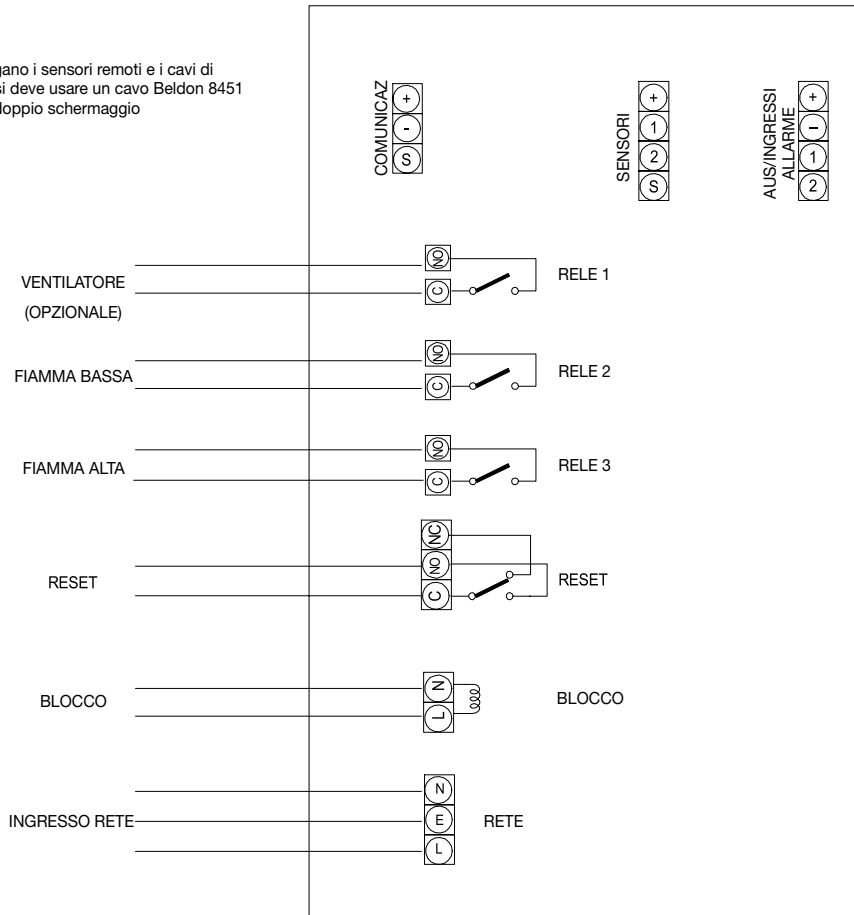
RISCALDATORE RADIANT IQ+ - ON_OFF
HEATMISER UK LTD
06 GENNAIO 2006

Quando si collegano i sensori remoti e i cavi di comunicazione si deve usare un cavo Beldon 8451 (RS 360-649) a doppio schermaggio



RISCALDATORE WARM AIR IQ+ - ON/OFF
HEATMISER UK LTD
06 GENNAIO 2006

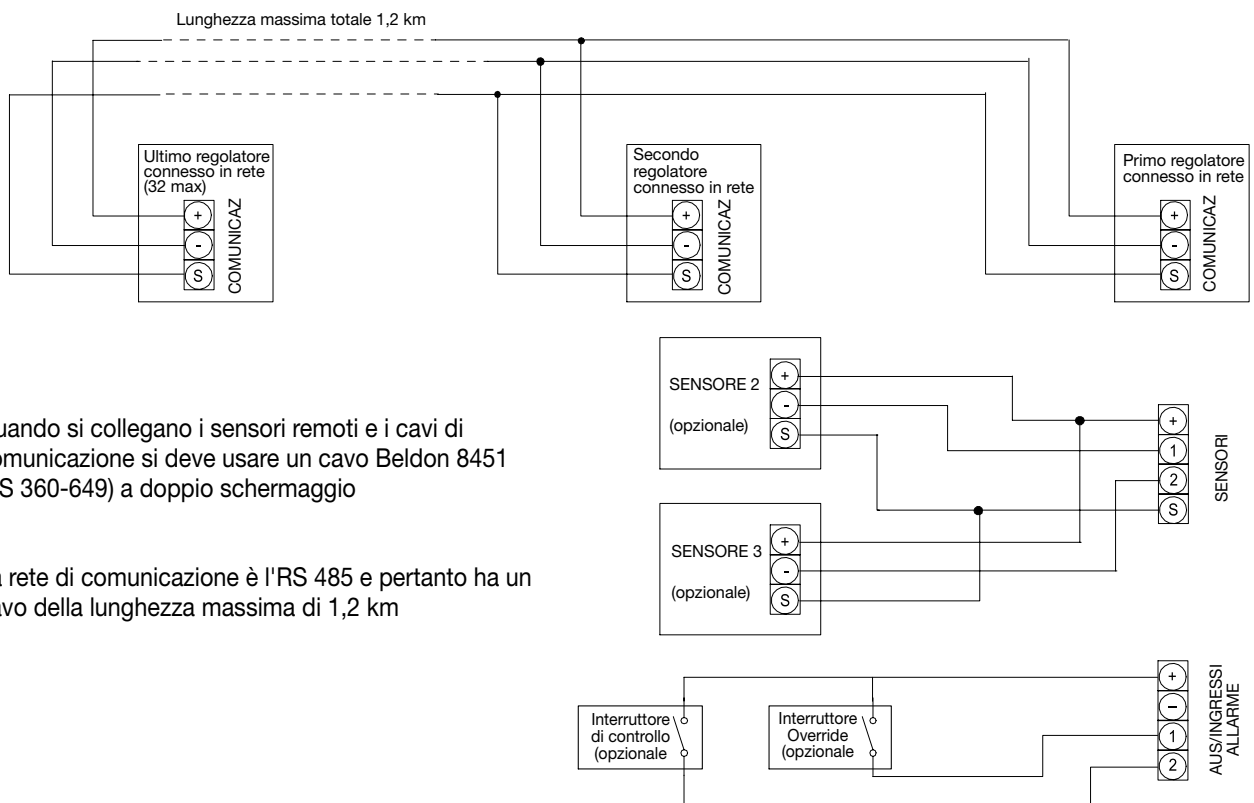
Quando si collegano i sensori remoti e i cavi di comunicazione si deve usare un cavo Beldon 8451 (RS 360-649) a doppio schermaggio



N.B. La funzione di spurgo NON è disponibile nella modalità alta/bassa

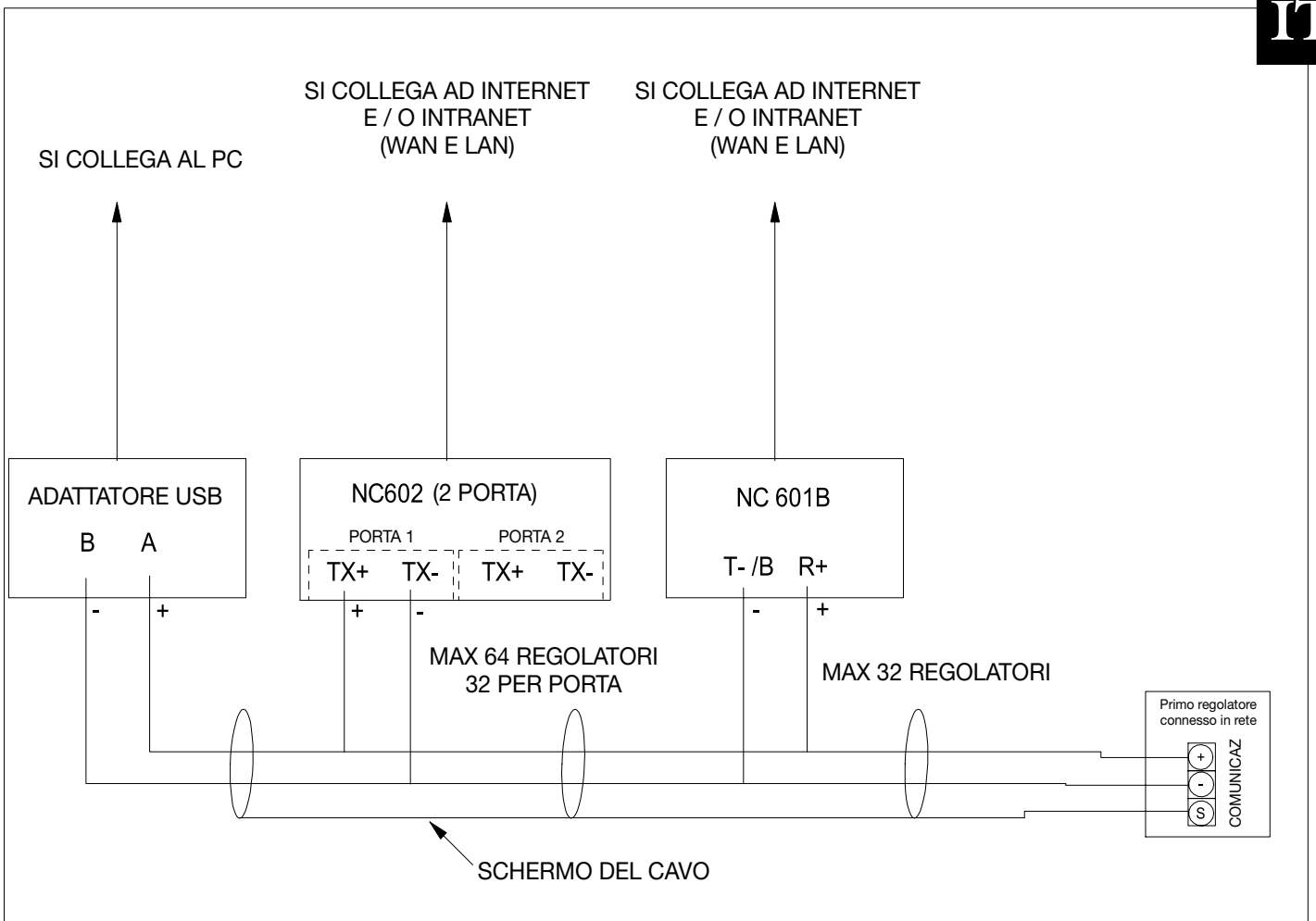
RISCALDATORE WARM AIR IQ+ - ALTA / BASSA
HEATMISER UK LTD
06 GENNAIO 2006

SENSORE, CABLAGGIO AUS. E DI COMUNICAZ. PER IQ+



Quando si collegano i sensori remoti e i cavi di comunicazione si deve usare un cavo Beldon 8451 (RS 360-649) a doppio schermaggio

La rete di comunicazione è l'RS 485 e pertanto ha un cavo della lunghezza massima di 1,2 km



INSTRUCTIONS À L'INTENTION DE L'UTILISATEUR



INDEX

SUJET	Numéro de la page
Pages de la table des matières	41
Option langue	42
Termes standards	42
Mode NORMAL d'utilisation	42
Neutralisation	43
Mode Été	43
Date	43
Blocage de l'appareil de chauffage & réinitialisation.....	43
Ventilateur été	44
Mode Programme	
Réglage des températures	44
Réglage des données	45
Réglage des heures.....	45
Réglage des codes	46
Congés	46
Réglages du système	
Réglage de la neutralisation (maximum).....	47
Réglage de l'optimisation.....	47
Réglage des codes	47
Configuration - Fonctionnalité requise	47
Configuration / Réglage	
Configuration (Type Allumé/Éteint): Option de purge, Double allumage, Commutateur d'Essai	48
Configuration (Type Haut/Bas): Suralimentation flamme haute, Différentiel haut/bas, Double Allumage, Commutateur d'essai	49
Configuration du Heatmiser (Type de Modulation).....	50
Réglage de L'Ensemble du Système	
Réglage du ventilateur	51
Calibrage du capteur.....	51
Mode service	51
Alarme de service activée.....	51
Réinitialisation de l'alarme de service	51
Réinitialisation du système.....	52
Section de l'utilisateur du réseau	53
Données techniques	
Caractéristique / Valeur nominale des fusibles.....	56
Schémas de câblage	57-59

Pour sélectionner la langue requise, appuyez sur PROG et entrez le code 2305 puis appuyez sur Entrée. Sélectionnez ensuite la langue souhaitée à partir de la sélection.

TERMES STANDARDS

Optimisation d'auto-apprentissage - un système par lequel le contrôle du Heatmiser calculera automatiquement l'heure de démarrage pour s'assurer que le bâtiment est à la bonne température à l'heure de commutation programmée. Il effectue ceci en contrôlant les valeurs de température interne afin que, par exemple, dans des conditions tempérées, les temps de préchauffage soient réduits - réalisant ainsi une économie d'énergie.

Le Préchauffage est le nombre d'heures pendant lesquelles le contrôle peut s'allumer avant l'heure de commutation programmée (lorsque la machine est en mode d'optimisation). Ceci est réglé au-dessous du code ingénieur et peut être réglé à un maximum de 8 heures.

Le Taux de changement est la durée nécessaire pour élever la température du bâtiment d'1.0°C. La valeur par défaut pour ce réglage est de 20 minutes mais le contrôle ajustera cette valeur automatiquement en fonction de l'environnement.

Neutralisation: l'utilisation du bouton de neutralisation sur le clavier du Heatmiser permet à l'utilisateur d'ignorer les préreglages de la zone pour un nombre d'heures donné, afin de permettre une utilisation non programmée du système. Une valeur maximum peut être entrée afin d'empêcher les utilisateurs d'entrer des périodes de neutralisation trop longues.

État des périodes de commutation :

- **Jour** est lorsque le contrôle est réglé à une période de commutation spécifique. (Par exemple entre 07h00 et 08h00, le contrôle sera dans une condition de JOUR. En dehors de ces heures, le contrôle sera en condition NUIT).
- **Nuit** est lorsque aucune période de commutation n'a été programmée. Dans ce cas-là, le contrôle est alors ramené à la température nocturne.

Le Blocage de l'appareil de chauffage & Réinitialisation est une fonction standard du Heatmiser 2000L et permet d'envoyer un signal au Heatmiser à partir de l'appareil de chauffage lorsque celui-ci se bloque (surchauffe, etc.). Une fois que la panne de l'appareil de chauffage a été rectifiée, un signal de réinitialisation pourra être envoyé à l'appareil de chauffage pour une réinitialisation de l'état de blocage.

Le mode MARCHE normal est lorsque le contrôle opère normalement et qu'il n'est pas programmé (c'est-à-dire indiquant l'Heure/Jour sur l'écran d'informations). Il est important de garder à l'esprit que lorsque des modifications ont été apportées au programme du Heatmiser, il suffit d'appuyer sur le bouton MARCHE pour revenir au contrôle en mode MARCHE.

MODE NORMAL

Il y a un écran de mode Normal (Marche) principal, et un écran Info sur le Heatmiser IQ+. Ces écrans sont expliqués ci-dessous :

Écran mode MARCHE Allumé/Éteint

VEN 07 :58 23.0°C
CHAUFF ÉTEINT

Cet écran indique l'heure, la température réelle ainsi que l'état du relais de chauffage (Allumé ou Éteint)

Écran mode MARCHE Haut/Bas

VEN 07 :58 23.0°C
BAS ALL. HAUT ÉTNT

Cet écran indique l'heure, la température réelle ainsi que l'état de chauffage de la flamme haute et basse

Le fait d'appuyer sur le bouton Information puis sur l'option 1 affichera l'écran suivant :

Cet affichage indique la température cible ainsi que l'état de la période de commutation

TEMP CIBLE : 21.0°C
HR HORLOGE : JOUR

Neutralisation

Il est possible de faire passer le Heatmiser IQ+ en une condition de jour ou de nuit afin de réaliser une opération non programmée du système. Le temps maximum pendant lequel l'unité peut être neutralisée aura été réglé par l'utilisateur

Pour programmer une période de neutralisation

À partir du mode normal MARCHÉ. Appuyez sur le bouton Neutralisation et entrez votre code de sécurité si nécessaire

LUN 13:06 20.0C
HORLOGE : JOUR

Choisissez ensuite 1) pour entrer dans le mode de neutralisation

1 > MODE NEUTRALISATION
2 > MODE ÉTÉ

Sélectionnez ensuite 1 ou 2 pour mettre la neutralisation de la zone sur ALLM (1) ou ÉTNT (2)

NEUTRALISATION SUR
1 > ALLM ou 2 > ÉTNT

Vous devrez alors entrer la durée de la période de neutralisation

RÉGLAGE NEUTRALISATION
MAXIMUM (04) : 03

Si la zone est au-dessus de la température, le contrôle affichera l'écran suivant. Rappelez-vous que la fonction de Neutralisation ne neutralise que la durée, pas la température. Ce message d'erreur apparaîtra également si la durée de neutralisation programmée dépasse le réglage maximum sélectionné.

** ATTENTION **
DONNÉES INVALIDES

L'écran d'état indique alors que la zone a été placée dans une condition de neutralisation

Lun 13:06 20.0 C
État : NEUTRALISATION

! Pour annuler une période de neutralisation, répétez les étapes ci-dessus, choisissant 2 pour ARRÊT et réduisant la durée de la période de neutralisation à 00

Mode Été

Pour activer la fonction du Mode Été, appuyez sur le bouton Neutralisation/Été et sélectionnez 2 pour Été.

1 > MODE NEUTRALISATION
2 > MODE ÉTÉ

Le contrôle passe alors en mode Été, ce qui signifie que la température est contrôlée par le réglage de Diminution Nocturne.

Pour annuler, répétez l'opération ci-dessus.

Date

Pour afficher la date et l'heure actuelle :
Appuyer sur INFO
Appuyez sur 2 pour la date

12.13.49
SAM 11-12-02

Blocage de L'Appareil de Chauffage/Reinitialisation

Une alimentation secteur sous tension peut être câblée au Heatmiser à partir de la connexion de blocage de l'appareil de chauffage afin de permettre une indication à distance d'une panne. Une fois que la panne a été rectifiée sur l'appareil de chauffage, le fait d'appuyer sur la touche Réinitialisation du clavier enverra un signal de réinitialisation à l'appareil de chauffage pour supprimer la condition de blocage. Cette fonction est extrêmement utile pour les appareils de chauffage installés dans des lieux difficilement accessibles.

Réinitialisation del' Appareil de Chauffage (Pas d'indication de blocage)

FR

Sur les appareils de chauffage n'ayant pas la fonction à distance, le heatmiser peut être utilisé pour envoyer un signal de réinitialisation à distance.

Pour envoyer une réinitialisation dans ce cas.
Appuyer sur le bouton RESET (Réinitialisation)
Appuyer sur 3 pour RESET

1 > INFO DATE
3 > BLOC.REINIT

Le relais Reset sera activé pendant une seconde.

Ventilateur manuel été

Lorsque les appareils de chauffage sont équipés de la fonction de ventilateur été, le Heatmiser peut activer le ventilateur afin d'offrir une ventilation pendant les mois d'été.

Appuyer sur la touche VNT (Ventilateur) affiche l'écran suivant.

VNT ALLUMÉ?
ENTREZ POUR CONFIRMER



Pour désactiver le ventilateur, répétez l'opération ci-dessus

Le ventilateur Manuel Été n'est pas disponible si le ventilateur constant ou le ventilateur été a été activé. Ces options sont expliquées plus loin dans le manuel.

MODE PROGRAMME

À partir de l'écran du mode normal (MARCHE), appuyer sur le bouton PROG affichera l'écran suivant :

** ATTENTION **
CODE D'ENTRÉE: ????

Avant de pouvoir accéder au Heatmiser, vous devez entrer le mot de passe. Celui-ci est réglé en usine à 0000 comme code par défaut mais il peut être modifié à tout moment par l'utilisateur pour garantir la sécurité. Ce processus est expliqué à la section 4 (Code).

1) TEMP

Cette section est utilisée pour changer les réglages de température

ceci est le menu DONNÉES

1 > TEMP 2 > DONN
3 > SYSTM 4 > CONGES

Appuyer sur 1 pour TEMP affiche l'écran suivant :

Vous devez à présent entrer la température requise pour les périodes de JOUR. (Par ex. 22.0). Ceci doit être entré sous la forme de trois chiffres

RÉGL PÉRIODE JOUR
TEMP : 22.0 C

Lorsque vous avez terminé, appuyez sur Entrée.

Vous êtes à présent en mesure de sélectionner si vous souhaitez une Protection anti-gel ou non. Sélectionner ÉTEINT vous ramène au menu DONNÉES

PROTECTION ANTI-GEL
1 > ALLM OU 2 > ÉTNT

Sélectionner ALLUMÉ vous permet de sélectionner une température de diminution NUIT

RÉGL PÉRIODE NUIT
TEMP : 05.0 C

Appuyez sur Entrée lorsque vous avez sélectionné la température nocturne requise, puis appuyez sur MARCHE pour revenir au mode normal MARCHE.

La température du ventilateur été est calculée par un réglage différentiel. Par exemple, un différentiel de 03 signifie que la température du ventilateur été sera de 03°C supérieure au réglage JOUR. Par conséquent, il n'y a pas de risque que la température de JOUR soit supérieure au réglage du ventilateur été.

VENTILATEUR ÉTÉ
DIFFÉRENTIEL : XX

Appuyez sur Entrée lorsque vous avez sélectionné la température nocturne requise, puis appuyez sur MARCHE pour revenir au mode normal MARCHE.

2) Données

La section DONNÉES est la section où vous pourrez régler les périodes de commutation quotidiennes. Trois périodes par jour sont possibles.

- Appuyez sur PROG et entrez le code de sécurité
- Sélectionnez ensuite 2 pour entrer dans le menu DONNÉES

1 > TEMP	2 > DONNÉES
3 > SYSTM	4 > CONGES

Vous pouvez à présent voir sur l'écran qu'il est requis d'entrer la période de commutation 1 pour lundi. Donc, avec une notation sur 24h, entrez l'Heure de Départ requise, par ex. 08:00.

PÉRIODE LUN : 1
D:HH:MM F:HH:MM

Entrez maintenant l'heure de départ et déplacez le curseur sur le réglage d'heure de fin.

Nous pouvons programmer l'Heure de Fin, par exemple 17:00. N'oubliez pas d'entrer l'heure en utilisant le système 24h. Lorsque vous avez terminé, appuyez sur Entrée pour accepter la période de commutation programmée et pour passer à la Période 2 du lundi.

Programmation d'autres périodes

Vous pouvez maintenant programmer la Période 2 du lundi de la même manière. Appuyez sur Entrée lorsque vous avez terminé.

PÉRIODE LUN : 2
1) D:21:00 F:23:00

Si vous n'avez pas besoin des trois périodes de commutation - laissez les heures tel quel, c'est-à-dire HH:MM et cette période sera ignorée.

PÉRIODE LUN : 3
1) D:HH:MM F:HH:MM

À ce stade, appuyez sur la touche Entrée pour passer aux périodes de commutation du mardi.

Vous pouvez entrer les périodes de commutation pour le mardi exactement de la même manière.

PÉRIODE MAR : 1
1) D:HH:MM F:HH:MM

Si les périodes de commutation sont les mêmes le mardi, vous pouvez appuyer sur la touche COPIE et ceci copiera toutes les périodes de commutation du jour précédent. Donc, par exemple, si vous appuyez sur la touche COPIE lorsque vous vous trouvez sur la période 1 du mardi, toutes les périodes de commutation du lundi seront copiées, et le Heatmiser passera alors au mercredi.

COPIE DES DONNÉES
LUN À MAR

Un écran similaire à celui-ci est affiché :



Pour corriger toute erreur, utilisez la touche EFF.
Si vous appuyez sur Entrée, les réglages affichés sur cet écran seront sauvegardés.

3) Système

Cette section vous permet de régler l'heure/la date du système ainsi que les codes de sécurité pour le système.

Heure du système

À partir du mode MARCHE normal, appuyez sur PROG et entrez le code de sécurité de l'utilisateur

1 > HEURE SYSTÈME
2 > CODE SYSTÈME

- Appuyez sur PROG et entrez le code utilisateur
- Appuyez ensuite sur 3 pour Système
- Appuyez ensuite sur 1 pour Heure système
- Il vous est maintenant demandé d'entrer la nouvelle heure (Entrez celle-ci en notation 24h)

HR ACTUELLE : 13.07
NOUV. HR : HH:MM

Lorsque vous avez entré la nouvelle heure, appuyez sur la touche Entrée.

Il vous est maintenant demandé d'entrer la nouvelle date du système (en format JJ:MM:AA)

DATE : 19-05-03
NOUV. DATE : JJ:MM:AA

Lorsque vous avez entré la nouvelle date, appuyez sur la touche Entrée

Il vous est maintenant demandé d'entrer le jour de la semaine

RÉGL. JR SEMAINE
1 ==LUN - 7 ==DIM

Lorsque vous avez entré le nouveau jour, appuyez sur la touche Entrée.

La commande reviendra à l'écran de menu. Appuyez sur RUN (MARCHE) pour revenir au mode de fonctionnement normal.

Code système

Appuyez sur Prog et entrez le code de sécurité

Appuyez sur 3 pour Système

Appuyez sur 4 pour Code vous demande de sélectionner le code que vous souhaitez modifier

- 1 > Code Directeur - Ce code donne accès à tous les réglages des données
- 2 > Code Opérateur - Ce code donne accès aux fonctions Neutralisation et Été
- 3 > CODE DIRECTEUR
- 4 > CODE OPÉRATEURS

- Pour changer le code, entrez simplement le nouveau code à l'invite
- Appuyez sur MARCHE pour revenir au mode MARCHE normal

CODE ACTUEL: 0000
NOUV. CODE: ????

! Le réglage identique des Codes Directeur et Opérations aura pour effet de désactiver le code Opérateur (c'est-à-dire qu'aucun code ne sera requis pour accéder à la section des opérateurs)

Journalisation

Le Heatmiser IQ+ enregistre les heures de fonctionnement, la température ainsi que l'historique du brûleur. Les heures de fonctionnement constituent un total hebdomadaire et les 12 mois précédents sont conservés.. La température et l'historique du brûleur sont enregistrés toutes les 15 minutes et sont également conservés pendant 12 mois.

Pour voir le total d'heures de fonctionnement de cette semaine, appuyez sur 1. La flèche de gauche vous permet de faire défiler les semaines précédentes. L'utilisation de la flèche de droite vous permet de revenir à la date actuelle.

1 > HEURES DE FONCTIONNEMENT
2 > TEMPÉRATURES ET BRÛLEURS

Pour voir la dernière température enregistrée et l'état du brûleur appuyez sur la touche 2. La flèche de gauche vous permet de faire défiler les enregistrements (intervalles de 15 minutes) L'utilisation de la flèche de droite vous permet de revenir à la date actuelle.

4) Congés

Ceci est la section utilisée pour régler les périodes de congés connues pour l'année, pendant lesquelles un chauffage de la zone ne sera pas requis.

Cinq périodes de congés peuvent être réglées. Suivez les étapes ci-dessous pour pouvoir programmer les périodes de congés.

Appuyez sur la touche programme et sélectionnez l'option 4.

Il vous est maintenant demandé d'entrer la période de congé 1.

Vous devez entrer la date de départ dans le format JJ-MM-AA.

Lorsque vous avez programmé la date de commencement des congés, appuyez sur Entrée.

Période congé 1
S: 00-00-00 L: 00

Vous devrez maintenant programmer la longueur de la période de congés. Vous devrez calculer le nombre de jours pendant lequel vous souhaitez que le chauffage soit éteint, en calculant à partir du premier jour de congés jusqu'au dernier. Entrez maintenant cette durée.

Lorsque la première période de congés est réglée, appuyez sur la touche entrée.

La période 2 de congés sera maintenant affichée.

Vous devrez programmer les périodes de congés restantes de la même manière. Lorsque toutes les périodes de congés ont été programmées, le programme reviendra au menu Données.

Remarque importante:

1. À n'importe quel moment du processus, si vous appuyez sur la touche entrée, le réglage actuel sera sauvegardé.

Pour entrer dans la section Ingénieurs, appuyez sur le bouton Programme et entrez le code Ingénieurs. (Ce code se trouvera sur une étiquette placée sur le devant ou au dos du clavier. Cette étiquette devra être retirée après la mise en service de l'instrument.

Un affichage similaire à celui-ci sera maintenant affiché

1 > NEUTRAL. 2 > OPT 1
3 > CODE 4 > RÉGL

1) NEUTRAL

Cette section permet d'entrer une limite pour la neutralisation.

RÉGLAGE NEUTRAL.
TEMPS MAX : 08

Entrez deux chiffres (par ex. 08 pour 8h) puis appuyez sur Entrée pour accepter le réglage.

2) OPTI

Avec le Heatmiser Economy 2000/2000L, vous pouvez régler si une optimisation est requise (Référez-vous aux Termes pour plus d'informations)

Si vous souhaitez une optimisation, sélectionnez 1 pour allumer puis continuez pour régler les paramètres suivants

OPTIMISATION?
1 > ALLUM. OU 2 > ÉTEINTE

Si vous sélectionnez de l'éteindre, vous reviendrez au menu de réglage et ceci annulera l'optimisation. Ceci signifie que le contrôle allumera le chauffage aux heures de commutation programmées et ne prendra pas de périodes de préchauffage en compte.

Ceci est le temps requis par le système de chauffage pour élever la température du bâtiment de 1.0°C. Un point de départ moyen serait de 20 minutes mais l'unité étant capable d'auto-apprentissage, elle se modifiera automatiquement d'une minute par jour de manière à s'ajuster au réglage correct

TAUX DE CHANGEMENT
MINUTES /C :20

Ceci est le nombre d'heures maximum précédant le temps de commutation de l'unité pendant lesquelles l'unité peut s'allumer pour préchauffer le bâtiment à la température correcte. Le réglage maximum est de 8 heures, mais un réglage moyen est de 3 heures.

RÉGL PRÉCHAUFF
TEMPS MAX :03

3) CODE

La section Code fonctionnera normalement et est utilisée pour régler le code de l'utilisateur.

4) RÉGLAGE

Cette section nous permet de configurer la commande, de régler le mode ventilateur requis, d'activer et de désactiver le capteur interne et de configurer le mode d'entretien.

1 > CONFIG 2 > VENT
3 > CAPTEUR 4 > SUPPL.

CONFIG (Configuration du Heatmiser IQ+)

Au cours du processus de configuration, il vous sera demandé de sélectionner la fonctionnalité requise pour le système contrôlé.

Appuyez sur PROG

Entrez le code Technicien

Sélectionnez 4 pour Réglage

Sélectionnez 1 pour Config.

Il vous est maintenant demandé de sélectionner le type de contrôle dont vous avez besoin.

ALLUMÉ ÉTEINT = 0
HAUT/BAS = 1 MODULER = 2

CONFIGURATION DU HEATMISER IQ+ (TYPE ALLUMÉ/ÉTEINT)



OPTION DE PURGE

Il vous est maintenant demandé de sélectionner si une purge est requise
La sélection N à ce stade vous permet d'éviter les deux écrans suivants

PURGE REQUISE ?
N<0> O<1> : 1

La pré-purge active le relais 3 pour le laps de temps spécifié avant que
le relais de chauffage ne soit activé

TPS DE PRÉ-PURGE
<MINS> : 00

La post-purge activera le relais 3 pour le laps de temps spécifié après
que le relais de chauffage a été éteint

TPS DE POST-PURGE
<MINS> : 00

DOUBLE ALLUMAGE

L'activation de cette option vous offrira la fonctionnalité suivante.

Lorsque le relais de chauffage est activé pour la première fois à chaque période de commutation, il s'éteindra après 30 secondes. Ensuite, après 10 secondes supplémentaires, le relais sera ré-alimenté et fonctionnera normalement.

Ceci fonctionne au début de chaque période de commutation et est utilisé pour s'assurer que l'appareil de chauffage s'allume lorsqu'il est installé dans un lieu où il existe un niveau élevé de condensation.

DOUBLE ALLUMAGE ?
N<0> O<1> : 0

Si une post-purge a été activée, elle sera lancée avant que l'appareil de chauffage ne se rallume. Si aucune post-purge n'a été sélectionnée, 10 secondes s'écouleront avant que l'appareil de chauffage ne s'allume.

COMMUTATEUR D'ESSAI

Il vous est maintenant demandé de sélectionner si vous avez ou non un commutateur d'essai sur le système.

COMM. D'ESSAI?
N<0> O<1> : 0

Lorsqu'il existe une demande de chaleur, le Heatmiser contrôle tout d'abord que le commutateur d'essai n'est pas fermé. Le relais 3 est alors alimenté, lançant une pré-purge si nécessaire. Le commutateur d'essai se ferme alors, et le relais 2 est alimenté.

Une fois que vous avez terminé la procédure de configuration, vous reviendrez à l'écran du menu de réglage. À ce stade, vous pouvez appuyer sur RUN (Marche) pour revenir au mode de fonctionnement normal, ou vous pouvez continuer à programmer les autres réglages en sélectionnant une autre option de menu.

LIMITE DE TEMPÉRATURE HAUT/BAS

Il vous est maintenant demandé d'entrer la limite des températures Haut/Bas. Avec une limite fixée à 02, vous pouvez augmenter/diminuer la température réglée de 2°C

LIMIT DE TEMP DE
L'UTILISATEURTEMP: 00° C

CONFIGURATION DU HEATMISER IQ+ (TYPE HAUT/BAS)

FR

SURALIMENTATION FLAMME HAUTE

L'activation de cette option vous offre la fonctionnalité suivante

SURALIM FLAMME HTE
N<0> O<1> : 0

Lorsqu'il existe une demande de chaleur élevée, les relais haut et bas sont tous deux activés. Au bout d'une minute, le système contrôle si les relais haut et bas sont tous les deux requis. Si la température est comprise dans le différentiel programmé, le relais de flamme haute est éteint.

DIFFÉRENTIEL HAUT/BAS

Lorsque le Heatmiser Mistral est utilisé pour contrôler un appareil de chauffage à deux niveaux, vous devez entrer le réglage différentiel Mistral.

Il vous est maintenant demandé d'entrer le différentiel Mistral

ENTREZ LE DIFF.
HILO : 04

Un réglage différentiel de 4 et une température requise de 20.0°C signifie que la commande aura une flamme haute et basse active jusqu'au moment où la température atteint 16.0°C.

DOUBLE ALLUMAGE

L'activation de cette option offre la fonctionnalité suivante.

Lorsque le relais de chauffage est activé pour la première fois lors de chaque temps de commutation, il s'éteindra au bout de 30 secondes. Après 10 secondes supplémentaires, le relais sera ré-alimenté et fonctionnera normalement.

Ceci fonctionne au début de chaque période commutation et est utilisé pour s'assurer que l'appareil de chauffage s'allume lorsqu'il est installé dans un lieu où il existe un niveau élevé de condensation.

DOUBLE ALLUMAGE ?
N<0> O<1> : 0

COMMUNTEUR D'ESSAI

Il vous est maintenant demandé de sélectionner si vous avez ou non un commutateur d'essai sur le système.

COMM. D'ESSAI?
N<0> O<1> : 0

Lorsqu'il existe une demande de chaleur, le Heatmiser contrôle tout d'abord que le commutateur d'essai n'est pas fermé. Les sorties de chauffage (Haut/Bas) seront alimentées lorsque le commutateur est fermé.

LIMITE DE TEMPÉRATURE HAUT/BAS

Il vous est maintenant demandé d'entrer la limite des températures Haut/Bas. Avec une limite fixée à 02, vous pouvez augmenter/diminuer la température réglée de 2°C

LIMIT DE TEMP DE
L'UTILISATEURTEMP: 00° C

CONFIGURATION DU HEATMISER [TYPE DE MODULATION]

En mode de modulation, vous pouvez régler la température où le contrôle modulera de 10v à 0v. La puissance calorifique reste active.

Il vous est maintenant demandé d'entrer les paramètres différentiels. Avec un écart de 02, le Mistral commencera à moduler de 2°C degrés de moins que la température réglée.

ENTRER LA
MODULATIONDIFFÉRENCE: 04

Il est vous est maintenant demandé de sélectionner si une purge est requise. La sélection de N à ce stade vous permet d'éviter les deux écrans suivants.

PURGE REQUISE
N<0> O<1>:1

La pré-purge active le relais 3 pour le laps de temps spécifié avant que le prochain relais de chauffage ne soit activé.

TPS DE PRÉ-PURGE
MINUTES: 00

La pré-purge active le relais 3 pour le laps de temps spécifié avant que le prochain relais de chauffage ne soit activé.

TPS DE POSTPURGE
MINUTES: 00

DOUBLE ALLUMAGE

L'activation de cette option vous offrira la fonctionnalité suivante.

Lorsque le relais de chauffage est activé pour la première fois à chaque période de commutation, il s'éteindra après 30 secondes. Ensuite, après 10 secondes supplémentaires, le relais sera ré-alimenté et fonctionnera normalement.

Ceci fonctionne au début de chaque période de commutation et est utilisé pour s'assurer que l'appareil de chauffage s'allume lorsqu'il est installé dans un lieu où il existe un niveau élevé de condensation.

DOUBLE ALLUMAGE
N<0> O<1>:1

Si la post-purge est activée, elle sera relancée avant que l'appareil de chauffage ne se rallume.

COMMUTATEUR D'ESSAI

Il vous est maintenant demandé de sélectionner si vous avez ou non un commutateur d'essai sur le système.

COMMUTATEUR D'ESSAI
N<0> O<1>:1

Lorsqu'il existe une demande de chaleur, le Heatmiser vérifie tout d'abord si le commutateur d'essai n'est pas fermé. Le relais 3 est alors alimenté, lançant une pré-purge si requise. Le commutateur d'essai se ferme alors, le relais 2 est allumé.

Une fois que vous avez terminé la procédure de configuration, vous reviendrez à l'écran du menu de réglage. À ce stade, vous pouvez appuyer sur RUN (Marche) pour revenir au mode de fonctionnement normal, ou vous pouvez continuer à programmer les autres réglages en sélectionnant une autre option du menu.

LIMITE DE TEMPÉRATURE HAUT/BAS

Il vous est maintenant demandé d'entrer la limite des température Haut/Bas. Avec une limite fixée à 02, vous pouvez augmenter/diminuer la température réglée de 2°C

LIMIT DE TEMP DE L'UTILISATEUR
TEMP: 00°C

RÉGLAGE DE L'ENSEMBLE DU SYSTÈME

VENTILATEUR

Le Heatmiser IQ+ possède deux options de ventilation

MANUEL <0> VENT. C <1>
VENT. ÉTÉ <2> : 0

Ventilateur constant: Sur le Heatmiser IQ+, il existe la possibilité d'une sortie de ventilation constante. Si cette option est activée, le relais ventilateur sera ALLUMÉ en permanence pendant les temps de commutation programmés et fonctionnera selon le réglage de l'optimisateur.

Ventilateur été: Sur le Heatmiser IQ+, il existe la possibilité d'un ventilateur automatique été. Si la température s'élève au-dessus de la température de ventilation été, le Heatmiser activera automatiquement le relais ventilateur afin de donner de la ventilation au bâtiment. Si le ventilateur été est sélectionné, il est demandé à l'utilisateur d'entrer un différentiel de ventilateur été. Ce réglage est le nombre de degrés au-dessus de la température de JOUR nécessaire pour activer le relais du ventilateur été. Par conséquent, avec une température diurne de 20.0°C et un différentiel de 03, le relais du ventilateur été sera activé à 23.0°C. Le différentiel minimum est de 02 et le maximum de 06°C

La sélection de l'option nécessaire ajoutera un écran supplémentaire de réglage de la température. Ceci vous permet de régler une température de ventilateur été. Référez-vous aux réglages de la température à la page 32.

CAPTEUR

Le Heatmiser IQ+ a un capteur interne qui est livré désactivé. Pour l'activer, sélectionnez 1 pour Oui lorsque ceci vous l'est demandé.

CAPTEUR INTERNE
N<0> O<1> : 0

Le Heatmiser IQ+ propose une option de moyenne - le système calculera et affichera automatiquement la valeur moyenne lorsque deux capteurs (internes ou à distance) sont détectés.

maintenant demandé de calibrer le premier capteur ; si vous avez activé le capteur interne, vous devrez calibrer celui-ci d'abord, puis ensuite le capteur à distance.

CALIBRAGE (20)
INTERNE : 23.0

Si vous n'avez pas activé le capteur interne, il vous est demandé de calibrer le premier puis le second capteur à distance.

CALIBRAGE (19)
A DISTANCE : 23.0

Pour calibrer, entrez simplement la nouvelle valeur capteur après le point-virgule.

MODE DE SERVICE

- Entrez le code ingénieur et appuyez sur 3 pour le service.
- Vous avez à présent le choix entre :
 - 1> Configurer le mode de service ou
 - 2> Réinitialiser le total actuel d'heures de fonctionnement sauvegardé dans l'unité.
- Appuyer sur 1, pour configurer l'unité, affichera l'écran suivant et vous demandera de mettre le mode de service sur Allumé ou Éteint.
- Vous devez à présent entrer le nombre d'heures pendant lesquelles le système pourra fonctionner avant que l'alarme de service ne soit activée. Appuyez sur Entrée pour accepter le réglage programmé.
- Vous devrez ensuite entrer le numéro de téléphone que vous souhaitez voir affiché lorsqu'une alarme de service est activée.

1>APL 2>REINIT
3>SERVICE

1>CONFIGURATION
2> REINIT DONN

MODE SERVICE
1> ALM ou 2> ÉTN

MODE SERVICE
HRS FONCT: 0000

MODE SERVICE
APPL: 00000000

ALARME DE SERVICE ACTIVÉE.

Lorsqu'une alarme de service a été activée, un écran d'avertissement sera affiché pendant 5 secondes toutes les minutes. Vous pourrez annuler cet avertissement en appuyant sur la touche REINIT lorsque l'avertissement s'affiche à l'écran.

Rappelez-vous que vous ne recevrez pas d'alarmes de service supplémentaires jusqu'au moment où la commande a été réinitialisée par un ingénieur.

RÉINITIALISATION DE L'ALARME DE SERVICE

FR

Après qu'une alarme de service a été activée, vous pourrez réinitialiser le réglage des heures sans avoir à reprogrammer le numéro de téléphone en sélectionnant Réinit à partir de l'écran Configuration/Réinit.

RÉINITIALISATION DU SYSTÈME

Cette fonction réinitialise les réglages du Heatmiser aux valeurs par défaut réglées en usine.

Pour réaliser une réinitialisation des commandes :

- Appuyer sur 4 pour le réglage
- Appuyer sur 4 pour les fonctions supplémentaires
- Appuyer sur 2 pour réinitialiser

RÉINITIALISER TOUTES LES DONNÉES
ENTRER POUR CONFIRMER

HEATMISER IQ+

Section de l'utilisateur du réseau

Explication du système:

- Jusqu'à 30 IQ+s peuvent être connectés ensemble pour permettre un contrôle central du système de chauffage.
- Le lien de télécommunication n'est utilisé que pendant la copie ou la lecture des données du IQ+ diffusé sur le réseau. Cela signifie que si le lien de télécommunication tombe, le système de chauffage continuera à fonctionner normalement.
- La conception des systèmes du réseau implique l'absence d'un "clavier principal". Chaque IQ+ peut être configuré pour permettre l'accès total au réseau, l'accès local uniquement ou aucun accès (verrouillage du clavier)
- Seul le IQ+ peut être programmé sur le réseau à n'importe quel moment.

Fonctions du mode MARCHÉ normal sur le IQ+ en réseau

Les fonctions en mode MARCHÉ normal sont les suivantes :

1. Ventilateur
 2. Neutralisation
 3. Mode été
 4. Voir la valeur de consigne et l'état de horloge.
 5. Voir l'heure et la date actuelles
 6. Reconfigurer un état de blocage.
- Utilisez les flèches de gauche et de droite pour faire défiler le réseau. Le nom de chaque IQ+ s'affichera lorsque vous faites défiler le réseau.
 - Appuyez sur Prog.
 - L'écran informera l'utilisateur que le contrôle entre en MODE DISTANT.
 - L'utilisateur peut maintenant activer le fonctionnement en mode normal d'utilisation comme décrits aux pages 2-4 de ce manuel.

Remarque: En mode de fonctionnement normal, on procède comme suit.

Après 4 minutes d'inactivité, la connexion à distance sera dépassée.

Vous pouvez vous déconnecter du IQ+ en réseau en appuyant sur la touche PROG. Pour couper la connexion au réseau, appuyez sur RUN. (MARCHÉ)

Programmation du IQ+ en réseau

Pour commencer à programmer un IQ+ en réseau, suivez les étapes ci-dessous:

- Appuyez sur Programme et entrez le "Code d'accès au réseau" Le code d'accès au réseau se trouve sur les informations inscrites sur l'étiquette du produit.
- Deux options vous sont maintenant présentées.

"1 UTILISER LES DONNÉES LOCALES"
"2 UTILISER LES NOUV DONNÉES "

Utiliser les données locales: Vous devez utiliser cette option si vous souhaitez programmer le IQ+ local et si vous souhaitez pouvoir copier les données sur un IQ+ en réseau.

Le menu suivant apparaît.

1)TEMP	2) DONNÉES
3)SYSTÈME	4) CONGÉS

1) TEMP

Cette section est utilisée pour changer les paramètres de température.

- Il vous est maintenant demandé d'entrer la température requise pour la période JOUR (Exemple : 22.0). On doit entrer un nombre à trois chiffres.
- Lorsque vous avez terminé, appuyez sur Entrée. La touche ALLUMÉ vous permet de régler une température NOCTURNE.
- Appuyer sur Entrer lorsque vous avez réglé la température nocturne requise.
- Si le Ventilateur est activé, il vous est demandé d'entrer la température. La température été ou du ventilateur est calculée par un réglage différentiel. Par exemple, un écart de 03 signifie que la température du ventilateur été sera de 03°C de plus que le réglage de JOUR. Par conséquent, il n'y a aucun risque que la température JOUR soit plus haute que le réglage du ventilateur.

RÉGLER LA PÉRIODE JOUR.
TEMP: 22.0°C

PROTECT ANTI-GEL
1 > ALLM OUR 2 > ETNT

RÉGL PÉRIODE NUIT
TEMP: 05.0 C

VENTILATEUR ÉTÉ
DIFFÉRENTIEL XX

2) DONNÉES

La section DONNÉES est la section où vous pourrez régler les périodes de commutation quotidiennes. Trois périodes par jour sont possibles.

Quand vous sélectionnez DONNÉES, un écran supplémentaire s'affiche sur le mode de programmation standard. Cet écran vous permet de copier les données des heures de commutation sur d'autres Mistrals sur le réseau.

Sélectionnez 1 pour programmer les heures de commutation.
Sélectionnez 2 pour commencer à copier les heures.

HEURES DE COMMUTATION
1 > RÉGLER 2 > COPIER

Lorsque vous appuyez sur 2 pour Copier, vous devrez programmer cet écran.

COPIER LES HEURES
1 > ZONE 2 > TOUTES

1 > Zone. Cela vous permet de sélectionner une zone en utilisant les flèches de gauche et de droite.

Lorsque vous avez sélectionné la zone où vous voulez copier les heures, appuyez sur Copier.

2 > Toutes. Cette sélection vous permet de copier les heures sur tous les Mistrals du réseau.

3) SYSTÈME

Cette section vous permet de régler le système Heure/Données et les codes de sécurité pour le système.

Heure système

- En mode MARCHÉ normal, appuyez sur PROG et entrez le code de sécurité de l'utilisateur.
- Appuyez sur Prog et entrez le code de l'utilisateur.
- Appuyez maintenant sur 3 pour le Système.
- Appuyez maintenant sur 1 pour l'heure système.
- Il vous est maintenant demandé d'entrer la nouvelle heure (Entrez celle-ci en notation 24h)
- Lorsque vous avez entré la nouvelle heure, appuyez sur la touche entrée.
- Il vous est maintenant demandé d'entrer la nouvelle date, appuyez sur la touche entrée.
- Lorsque vous avez entré la nouvelle heure, appuyez sur la touche Entrée.
- Il vous est maintenant demandé d'entrer le jour de la semaine.
- Lorsque vous avez entré le nouveau jour, appuyez sur Entrée.
- La commande reviendra à l'écran du menu.
- Appuyez sur RUN (MARCHÉ) pour revenir au mode MARCHÉ normal.

1 > HEURE SYSTÈME
2 > CODE DE SYSTÈME

HR ACTUELLE: 13.07
NOUV HR: HH:MM

DATE : 19-05-04
NOUV DATE: JJ:MM:AA

RÉGLER LE JOUR DE LA SEMAINE.
1 = Lun 7 = Dim

Code système

- Appuyez sur Prog et entrez le code de l'utilisateur.
- Appuyez sur 3 pour Système.
- Appuyez sur 1 pour Code, il vous est demandé de sélectionner le code que vous souhaitez changer.

1 > Directeur - Ce code donne accès à tous les paramètres de données.

2 > Opérateur - Ce code donne accès aux fonctions Neutralisation, Ventilateur et Été.

4) CONGES

Quand vous sélectionnez CONGES, un écran supplémentaire s'affiche sur le mode de programmation standard. Cette écran vous permet de copier les congés sur d'autres IQ+ sur le réseau.

Sélectionnez 1 pour programmer les périodes de congés.

Sélectionnez 2 pour commencer à copier les congés.

CONGÉS
1>RÉGLER 2>COPIER

Lorsque vous appuyez sur 2 pour Copier, vous devrez programmer cet écran.

COPIER CONGÉS
1>ZONE 2>TOUTES

1 > Zone. Cela vous permet de sélectionner une zone en utilisant les flèches de gauche et de droite quand vous sélectionnez la zone où vous voulez copier les congés, appuyez sur Copie.

2 > Toutes. Cette sélection vous permet de copier les heures sur tous les IQ+s du réseau.

Utiliser les nouv données : Cela permet à l'utilisateur de sélectionner et de programmer le réseau IQ+. Avec ce mode, vous ne pouvez pas programmer le IQ+ Local et la fonction de copie globale ne copiera pas les données sur le IQ+ Local.

- Vous pourrez voir s'afficher le nom des IQ+s disponibles sur le système en appuyant sur les flèches avant et arrière.
- Lorsque vous avez identifié le IQ+ que vous souhaitez programmer, attendez 5 secondes et le IQ+ affichera automatiquement l'écran suivant
- Suivez les instructions 2-3 pour les détails de programmation dans ce mode.

"! SÉLECTIONNER CONTRÔLE!"
* BACK FWD *

"1 > DONNÉES DES TEMPÉRATURES"
"3 > CONGÉS SYSTÈME"

Section de configuration du réseau

Afin de configurer le IQ+ sur le réseau, suivez les étapes suivantes.

Vous devez répéter ces étapes pour chaque IQ+ du réseau.

Important: Configurez la station distante 1 en dernier lieu.

- Appuyez sur Programme et entrez le "Code d'accès au réseau"
Le code au réseau se trouve sur les informations inscrites sur l'étiquette du produit.
- Il vous est maintenant demandé d'entrer les paramètres différentiels.
VOUS devrez entrer un nombre à deux chiffres pour chaque IQ+ sur le réseau. Un IQ+ doit avoir le numéro d'identifiant 01.
- Il vous est maintenant demandé d'entrer un nom pour ce IQ+. Vous pouvez choisir un nom d'au plus 11 caractères. Entrez un nom en utilisant les touches de l'alphabet pour sélectionner la lettre requise, et appuyez sur Entrée pour accepter.

" ** ATTENTION **"
"ENTRER CODE????"

"NUMÉRO D'IDENTIFIANT DU RÉSEAU"
"POUR CETTE UNITÉ: XX"

NOM DU CONTRÔLE?
XXXXXXXXXX

- Il vous est maintenant demandé de sélectionner si vous souhaitez un accès "Local", "Bloqué" ou "Total"

ACCESS LOCAL: 0
"BLOQUÉ <1> TOTAL <2>"

- "Local" = Cela signifie que le IQ+ peut être utilisé au niveau local, mais ne peut pas être utilisé pour accéder à d'autres IQ+s sur le réseau.
- "Bloqué" = Cela signifie que le IQ+ sera bloqué et ne pourra pas être utilisé.
- "Local" = Cela signifie que le IQ+ peut être utilisé au niveau local, mais ne peut pas être utilisé pour accéder à d'autres IQ+s sur le réseau.

- Vous devez maintenant sélectionner si vous souhaitez ou non donner un accès à distance à l'installation. Si activé, l'utilisateur sera averti quand un appareil de chauffage sera bloqué. Cette information sera affichée sur les IQ+s qui ont été configurés pour offrir un accès total. L'utilisateur pourra également envoyer un signal via le réseau pour réinitialiser l'appareil de chauffage qui est bloqué.

"AUTORISER LA RÉINITIALISATION À
DISTANCE?" N<0> O<1>:1

Configuration de la station 1 (Vous devez faire cela à la fin)

- Il vous sera demandé d'entrer le code du réseau lorsque vous configurez Il s'agit d'un nombre à 4 chiffres que vous pourrez utiliser pour accéder aux autres IQ+s sur le réseau. Lorsque vous entrez ce code, il sera envoyé à tous les IQ+s du système.
- Il vous sera demandé d'entrer le nombre de contrôles dans le système.

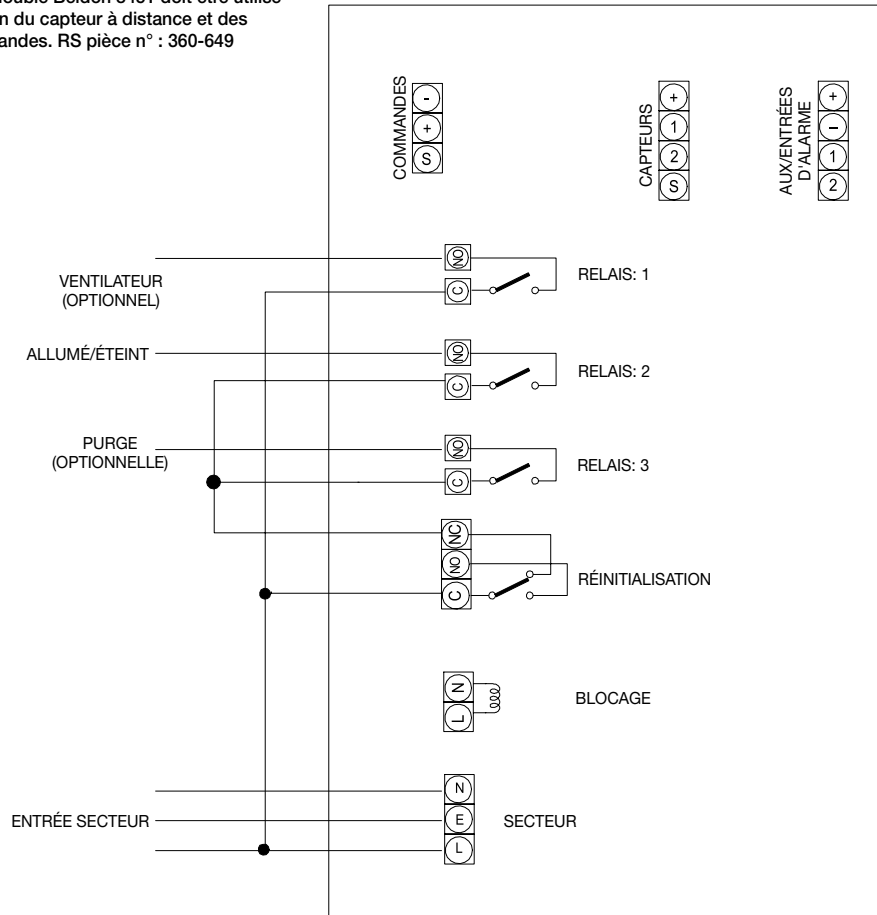
"RÉGLER LE CODE DU RÉSEAU"
XXXX

"ENTRER NUM DE CTL"
"1 à 30: "

CARACTÉRISTIQUES DU SYSTÈME

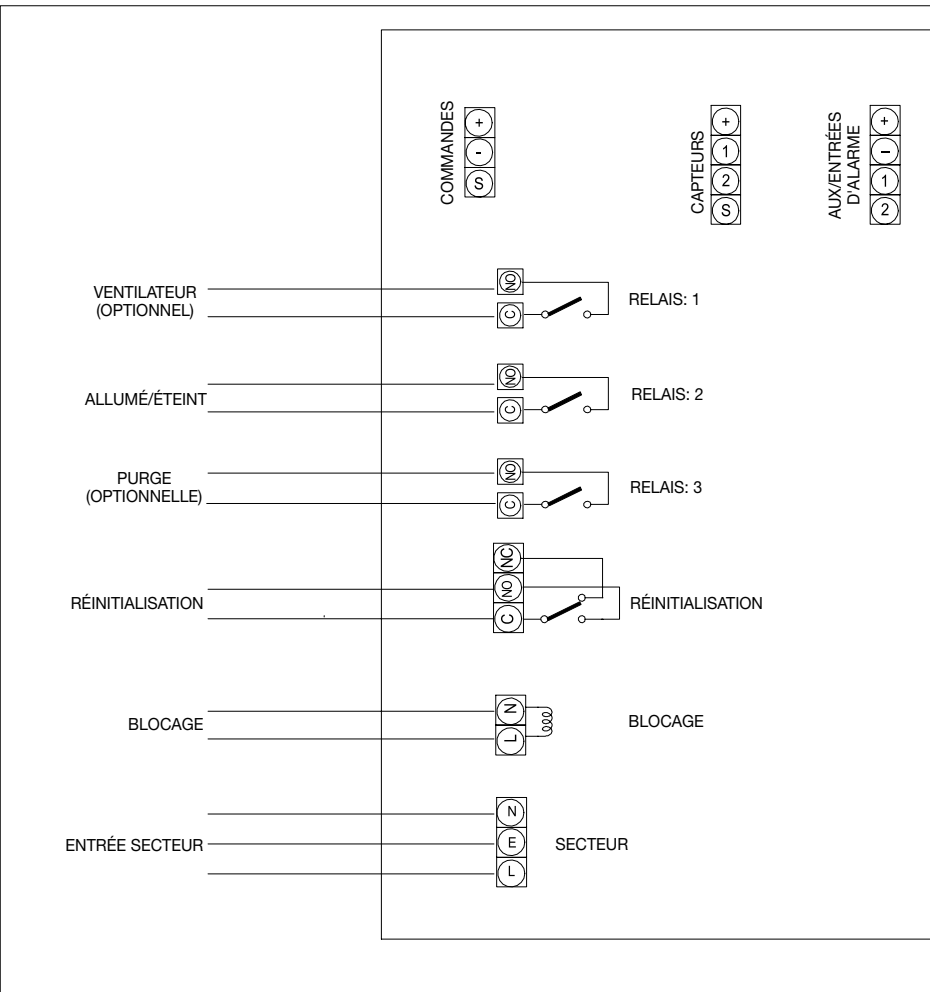
Boîtier:	ABS ignifugé
Dimensions:	222mm, 156mm, 61mm (Longueur, Hauteur, Profondeur)
Poids:	1.3kg
Sorties relais:	
Mistral =	Relais 1 = sans volt, contacts de travail unipolaires. Relais 2 = sans volt, contacts de travail unipolaires. Relais 3 = sans volt, contacts de travail unipolaires. Reset Relais = sans volt, contacts de travail & de rupture unipolaires. 10 amp 230v CA (Résistif) relais 1-3
Entrée alarme	230v CA. 5mA Max.
Alimentation	230v CA + 10% 50Hz
Capteurs	Utilisez des capteurs Heatmiser uniquement. Le câble blindé double Beldon 8451 ne doit être utilisé que pour le câblage de capteurs Heatmiser. RS pièce n° : 360-649
Pile de sauvegarde	3 ans minimum à 25°C

Le câble blindé double Beldon 8451 doit être utilisé pour la connexion du capteur à distance et des câbles de commandes. RS pièce n° : 360-649



La commande de réinitialisation déconnecte l'alimentation des appareils de chauffage pendant quelques secondes.

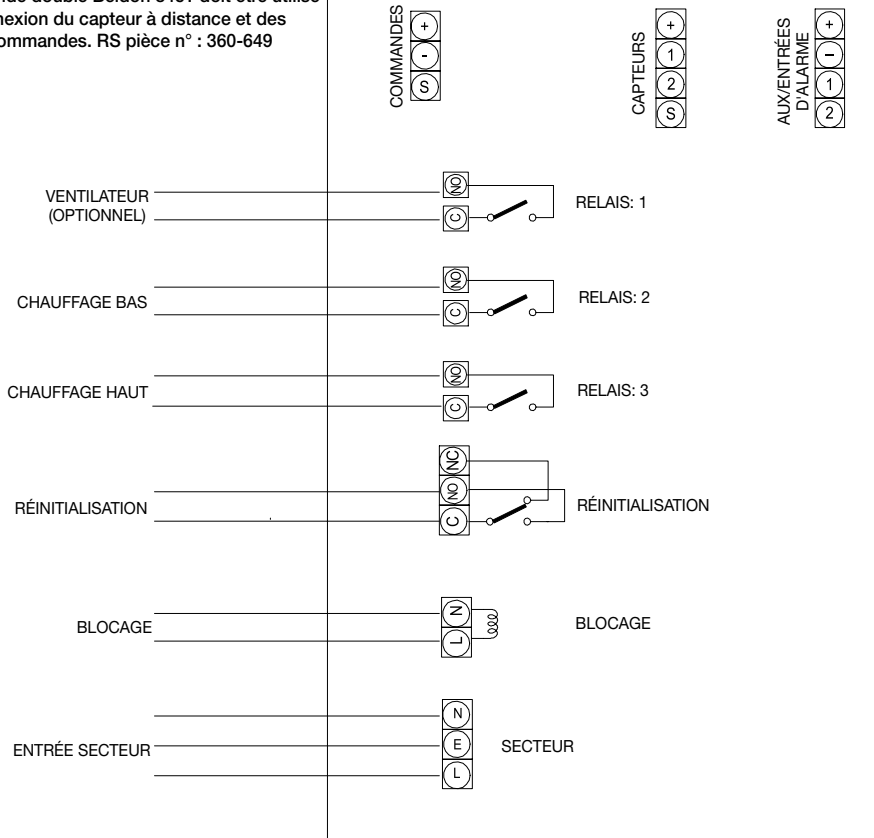
CHAUFFAGE PAR RAYONNEMENT ALLUMÉ/ÉTEINT IQ+
HEATMISER UK LTD
06 JANVIER 2006



Le câble blindé double Beldon 8451 doit être utilisé pour la connexion du capteur à distance et des câbles de commandes. RS pièce n° : 360-649

CHAUFFAGE PAR AIR CHAUD ALLUMÉ/ÉTEINT IQ+
HEATMISER UK LTD
06 JANVIER 2006

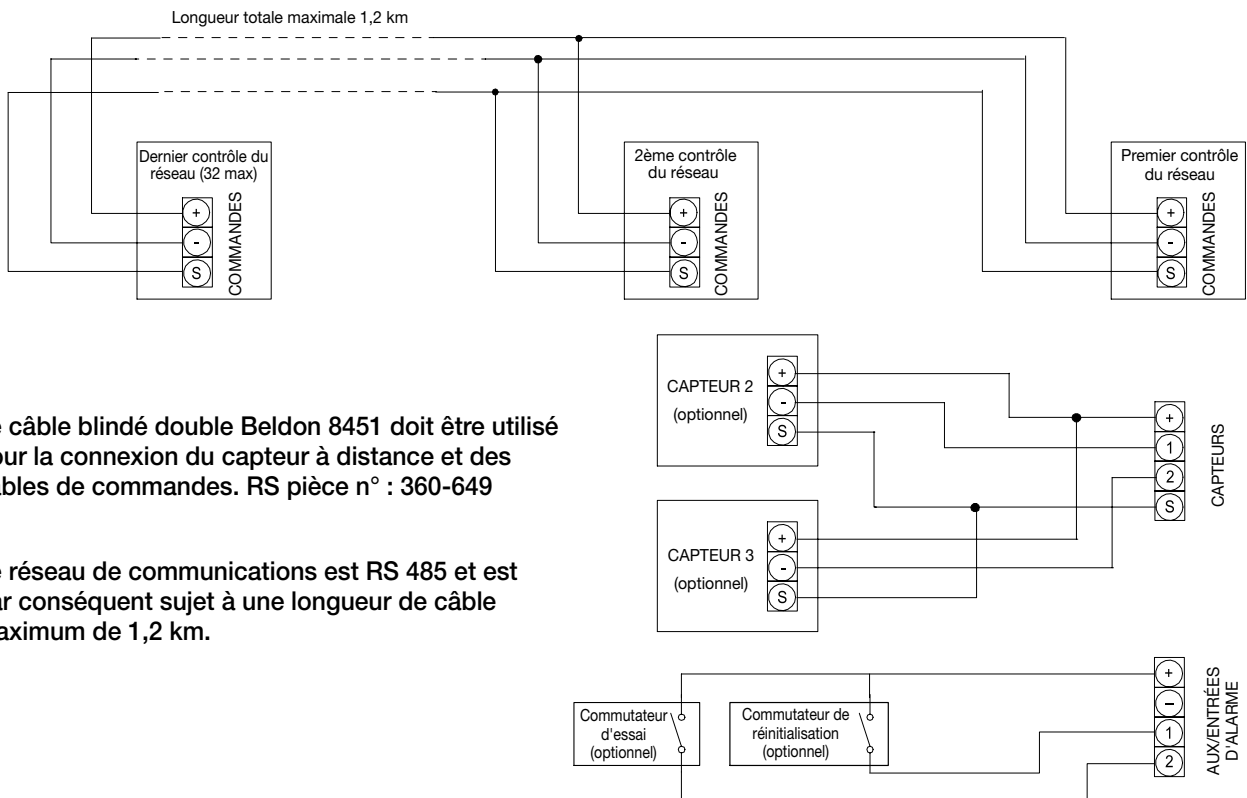
Le câble blindé double Beldon 8451 doit être utilisé pour la connexion du capteur à distance et des câbles de commandes. RS pièce n° : 360-649



Remarque : La fonction purge n'est PAS disponible en mode haut/ bas.

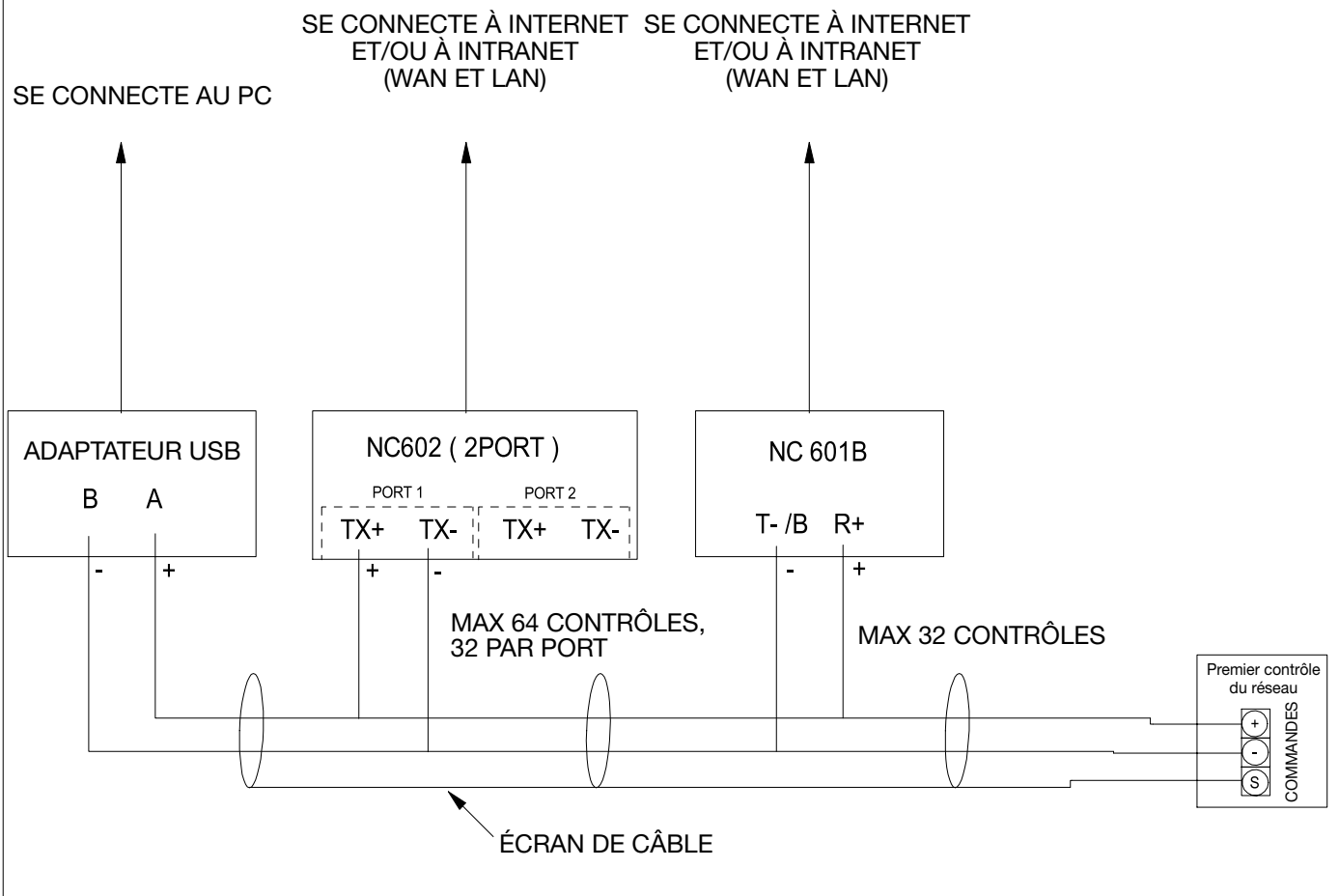
CHAUFFAGE PAR AIR CHAUD HAUT/BAS IQ+
HEATMISER UK LTD
06 JANVIER 2006

CAPTEUR, COMMANDES ET CÂBLAGE POUR IQ+



Le câble blindé double Beldon 8451 doit être utilisé pour la connexion du capteur à distance et des câbles de commandes. RS pièce n° : 360-649

Le réseau de communications est RS 485 et est par conséquent sujet à une longueur de câble maximum de 1,2 km.



GEBRAUCHSANLEITUNG FÜR BENUTZER



INHALTSVERZEICHNIS

THEMA	SEITE
Inhaltsverzeichnis	61
Sprachoption	62
Grundbegriffe	62
Normalbetriebsmodus	63
Manueller Eingriff (Override)	63
Sommerbetrieb	63
Datum	63
Heizkörper-Abstell- und Rückstellfunktion	63
Sommer-Ventilator	64
Programmiermodus	
Einstellung der Temperaturen	64
Einstellung der Schaltzeitpunkte	64
Einstellung der Uhrzeit	64
Einstellung der Codes	66
Urlaubszeiträume	66
System-Einstellungen	
Einstellung der Höchstdauer des manuellen Eingriffs (Override)	67
Einstellung des Optimierers	67
Einstellung der Codes	67
Konfiguration	67
Konfiguration / Setup	
Konfiguration des Regler-Setup (An/Aus-typ): Lüftungsoption, Doppelzündung, Prüfschalter	68
Konfiguration des Regler-Setup (High/Low-Typ): Verstärkung hoher flammen, High/low-differenz, Doppelzündung, Prüfschalter	69
Konfiguration des Heatmiser IQ+ (Modulationsart)	70
System-Setup	
Einstellung des Ventilators	71
Justierung der Sensoren	71
Wartungsmodus	71
Nach auslösung eines wartungsalarms	72
Zurückstellen des wartungsalarms	72
Rückstellung des Systems	72
Netzwerk-Benutzerbereich	73
Technische Einzelheiten	
Spezifikation / Sicherungsbemessungen	76
Verdrahtungspläne	77-79

Um die gewünschte Sprache anzuwählen, drücken Sie PROG, geben Sie dann den Code 2305 ein und drücken Sie ENTER. Wählen Sie dann die gewünschte Sprache aus dem Auswahlménü aus.

Grundbegriffe

Selbstlernende Optimierung ist ein System, bei dem der Heatmiser-Regler die Startzeit automatisch berechnet, um sicherzustellen, dass das Gebäude zum eingestellten Schaltzeitpunkt die richtige Temperatur erreicht. Dies wird durch die Auswertung von Innentemperatur-Messwerten erzielt, sodass beispielsweise bei milderer Witterung die Aufheizzeiten verkürzt werden, wodurch Energie eingespart wird.

Vorheizzeit ist die Anzahl der Stunden, die der Regler sich vor dem einprogrammierten Schaltzeitpunkt einschalten kann (solange er sich im Optimierungsmodus befindet). Zu ihrer Einstellung wird der Techniker-Kode benötigt, und sie kann auf höchstens 8 Stunden gestellt werden.

Änderungsgeschwindigkeit ist die Zeit, die dazu benötigt wird, die Gebäudetemperatur um 1.0°C zu erhöhen. Die Werkseinstellung hierfür ist 20 Minuten, aber der Regler wird dies automatisch den baulichen Gegebenheiten des Gebäudes anpassen.

Manueller Eingriff (Override): Die Benutzung der OVERRIDE-Taste auf dem Heatmiser-Tastenfeld erlaubt dem Benutzer, die Zone für eine ausgewählte Zahl von Stunden manuell zu verändern, um das System auch außerplanmäßig einsetzen zu können. Es kann eine Höchstdauer eingegeben werden, die verhindern soll, dass Benutzer lange Zeiträume manuell verändern.

Schaltzeitraum-Status:

- **Tag** ist, wenn der Regler auf einen tatsächlichen Schaltzeitpunkt eingestellt wird. (Zwischen 07.00 und 08.00 könnte der Regler beispielsweise in der Stellung „Tag“ sein. Außerhalb dieser Stunden wäre er dann in der Stellung „Nacht“.)
- **Nacht** ist, wenn keine Schaltzeitpunkte einprogrammiert sind. Zu diesen Zeiten stellt sich der Regler auf die Nachttemperatur zurück (Nachtabsenkung).

Eine **Heizkörper-Abstell- und Rückstellfunktion** wird beim Heatmiser Mistral serienmäßig mitgeliefert und ermöglicht, dass vom Heizkörper ein Signal an den Heatmiser gesendet wird, sobald sich der Heizkörper abstellt (z.B. wegen Überhitzung). Sobald der Fehler am betreffenden Heizkörper behoben ist, kann ein Rückstell-Signal an den Heizkörper gesendet werden, das den „Abgestellt“-Status zurückstellt.

Normalbetriebsmodus ist, wenn der Regler normal läuft und gerade nicht programmiert wird (d.h. Uhrzeit/Tag oder die Info-Anzeige sichtbar ist). Bitte denken Sie stets daran, dass nach der Veränderung von Heatmiser-Programmeinstellungen die RUN-Taste gedrückt werden muss, damit der Regler zum Betriebsmodus (RUN) zurückkehrt.

Normalbetriebsmodus

Es gibt beim Heatmiser IQ+ eine Hauptanzeige für Normalbetrieb und eine Info-Anzeige. Diese werden nachfolgend erklärt:

An/Aus-Betriebsmodus-Anzeige

Fre 07.58 23.0°C HEIZ AUS

Diese Anzeige gibt die Uhrzeit, die tatsächliche Temperatur und den Status des Heizungsrelais (An oder Aus) an.

High/Low-Betriebsmodus-Anzeige

Fre 07.58 23.0°C LOW AN HIGH AUS

Diese Anzeige gibt die Uhrzeit, die tatsächliche Temperatur und den Status der Heizungsrelais für sowohl hohe als auch niedrige Flamme an.

Durch Drücken der Info-Taste und dann Option 1 kommt man zu folgender Anzeige:

Diese Anzeige gibt die Solltemperatur sowie den Schaltzeitraum-Status an.

SOLLTEMP: 21.0°C SCHALTUHR: TAG

Manueller Eingriff (Override)

Der Heatmiser IQ+ kann manuell in die Tag- oder Nacht-Stellung umgeschaltet werden, um das System auch außerplanmäßig einsetzen zu können. Die Höchstdauer, für die das Gerät manuell umgeschaltet werden kann, ist zuvor durch den Techniker, der das System installiert hat, eingestellt worden.

Zur Programmierung eines Eingriffszeitraums

- Aus dem Normalbetriebsmodus (RUN):
Drücken Sie die OVERRIDE-Taste und geben Sie Ihren Bedienercode ein, wenn Sie hierzu aufgefordert werden.
- Wählen Sie dann 1, um in den Eingriffsmodus zu gelangen.
- Wählen Sie dann 1 oder 2, um in die Phase „an“ (1) oder „aus“ (2) manuell einzugreifen.
- Nun werden Sie aufgefordert, die Dauer des Eingriffszeitraums einzugeben.
- Sollte die Zone über der richtigen Temperatur sein, so wird der Regler die nachfolgende Anzeige aufweisen. Bitte beachten Sie, dass über die Eingriffsfunktion nur die Zeit, nicht jedoch eine Temperatur abgeändert werden kann. Diese Fehlermeldung erscheint auch dann, wenn die eingegebene Eingriffsdauer die festgelegte Höchsteingriffsdauer überschreitet.
- Aus der Status-Anzeige wird dann ersichtlich, dass die Zone in einen Eingriffszustand versetzt worden ist.

Mon 13:06 20.0°C
ZEIT MODUS: TAG

1 > EINGRIFFSMODUS
2 > SOMMERBETRIEB

EINGRIFF IN
1 > AN OD. 2 > AUS

MAXIM. EINGRIFF
DAUER (04) : 03

****WARNUNG****
DATEN UNGÜLTIG!

Mon 13:06 20.0°C
Status: EINGRIFF

! !Um eine Eingriffszeitraum zu löschen, wiederholen Sie die obigen Schritte, wobei 2 für „aus“ zu wählen ist, und die Dauer des Eingriffszeitraums dann auf 00 zu reduzieren ist.

Sommerbetrieb

Um den Sommerbetrieb einzuschalten, drücken Sie die Eingriff/Sommer-Taste und wählen Sie 2 für „Sommer“.

1 > EINGRIFFSMODUS
2 > SOMMERBETRIEB

Der Regler wird dadurch in den Sommerbetrieb versetzt, was bedeutet, dass die Temperatur auf die Nachtabsenkungseinstellung gebracht wird.

Zum Löschen obigen Vorgang wiederholen.

Datum

Um das derzeitige Datum und die aktuelle Uhrzeit anzuzeigen:

- Drücken Sie INFO
- Drücken Sie 2 für „Datum“

12.13.49
Sam 11-12-02

Heizkörper-Abstell - und Ruckstell-Funktion

Es kann vom Heizkörper-Abstell-Anschluss ein spannungsführender Netzanschluss zum Heatmiser gelegt werden, was die Fernanzeige von Fehlern ermöglicht. Sobald der Fehler am betreffenden Heizkörper behoben ist, wird durch Drücken von RESET auf dem Tastenfeld ein Signal an den Heizkörper gesendet, um den „Abgestellt“-Status aufzuheben. Diese Funktion ist sehr nützlich, wenn sich die Heizkörper außer Reichweite befinden.

Heizkörper-Rückstellfunktion (ohne Abgestellt-Anzeige)

Bei Heizkörper, die nicht über eine Fernabstellung verfügen, kann der Heatmiser eingesetzt werden, um ein Fern-Rückstellsignal zu senden.

Um in diesem Fall ein Rückstellsignal zu senden:
Drücken Sie die RESET-Taste
Drücken Sie 2 für RESET

1 > INFO 2 > DATUM
3 > ABSTELL RESET

Das Rückstell-Relais wird für eine Sekunde erregt

Manueller Sommer-Ventilator

Sofern die installierten Heizungen mit einer Sommer-Ventilator-Funktion ausgestattet sind, kann der Heatmiser den Ventilator in die Lage versetzen, in den Sommermonaten die Räume zu belüften.

- Nach Drücken der FAN-Taste erscheint folgende Anzeige:
- Jetzt muss ENTER gedrückt werden, oder alternativ, falls sie den Vorgang abbrechen möchten, die DEL-Taste.

VENTILATOR AN?
MIT ENTER BESTÄT



Um den Ventilator abzuschalten, wiederholen Sie den obigen Vorgang.

Wenn der Dauer- oder der Sommer-Ventilator aktiviert worden ist, kann die manuelle Sommer-Ventilator-Funktion nicht benutzt werden. Diese Optionen werden weiter unten im Handbuch erklärt.

Programmier-Modus

Nach Drücken der PROG-Taste bei Normalbetrieb-Anzeige (RUN) erscheint folgende Anzeige:

WARNUNG
ZUGANGSKODE: ????

Um Zugang zum Heatmiser zu bekommen, müssen sie Ihren Bedienercode eingeben. Dieser Code ist werksseitig auf 0000 eingestellt, kann aber zur Aufrechterhaltung der Sicherheit jederzeit durch den Benutzer verändert werden. Dieser Vorgang wird in Abschnitt 4 (Kode) erklärt.

1) TEMP

Dies ist das Datenmenü (DATA). Dieser Bereich dient dazu, die Temperatureinstellungen zu verändern.

1 > TEMP 2 > DATEN
3 > SYSTEM 4 > URLAU

Durch das Drücken von 1 für TEMP erscheint Folgendes auf der Anzeige:

- Sie werden jetzt aufgefordert, die gewünschte Temperatur für die Tageszeiträume (TAG) einzugeben (z.B. 22.0). Diese muss als dreistellige Zahl eingegeben werden.
- Nach Beendigung ENTER drücken.
- Sie können nun eingeben, ob Sie Frostschutz benötigen. Wenn Sie „aus“ wählen, kommen Sie zum Datenmenü zurück.
- Wenn Sie ON wählen, können Sie eine Nachtabsenkungstemperatur eingeben.

ZEITRAUM TAG
TEMP: 22.0 C

FROSTSCHUTZ
1 > AN OD 2 > AUS

ZEITRAUM NACHT
TEMP: 05.0 C

Die Sommer-Ventilator-Temperatur wird durch eine Differenzwert-Einstellung berechnet. Ein Differenzwert von 03 bedeutet zum Beispiel, dass die Sommer-Ventilator-Temperatur 03°C über der TAG-Einstellung sein wird. Es besteht deshalb kein Risiko, dass die TAG-Temperatur höher als die Sommer-Ventilator-Einstellung ist.

SOMMER-VENTILATOR
DIFFERENZ: XX

- Nach Eingabe der gewünschten Nachttemperatur drücken Sie zuerst ENTER und dann RUN, um zum Normalbetriebsmodus (RUN) zurückzukehren.

2) DATEN

Im DATA-Bereich können Sie die täglichen Schaltzeiträume festlegen. Es stehen 3 Zeiträume pro Tag zur Verfügung.

- Drücken Sie PROG und geben den Bedienercode ein.
- Wählen Sie nun 2, um in das Datenmenü (DATA) zu gelangen.

1 > TEMP	2 > DATEN
3 > SYSTEM	4 > URLAU

Sie können jetzt auf der Anzeige erkennen, dass Sie aufgefordert werden, den Schaltzeitraum 1 für Montag einzugeben. Geben Sie deshalb, unter Verwendung der 24-Stunden-Schreibweise, die gewünschte Startzeit (z.B. 08:00 für 8.00 Uhr) ein.

Mon ZEITR. : 1	
S:HH:MM	E:HH:MM

Drücken Sie jetzt ENTER, um die Startzeit zu bestätigen, und den Cursor auf die Endzeit-Einstellung zu bewegen.

Sie können die gewünschte Endzeit eingeben, z.B. 17:00 für 17.00 Uhr. Bitte denken Sie daran, stets die 24-Stunden-Schreibweise zu verwenden. Nach Beendigung ENTER drücken, um die programmierte Schaltzeit zu bestätigen und zum Zeitraum 2 des Montages weiterzurücken.

Eingabe weiterer Zeiträume

Sie können nun den Zeitraum 2 für Montag in genau der gleichen Weise eingeben. Drücken Sie ENTER, wenn Sie fertig sind.

Mon ZEITR. : 2	
1) S:21:00	E:23:00

Wenn Sie nicht alle 3 Schaltzeiträume benötigen, so lassen Sie die Zeiten einfach auf „HH:MM“ stehen, und sie werden dann vom System ignoriert.

Mon ZEITR. : 3	
1) S:HH:MM	E:HH:MM

Drücken Sie jetzt die ENTER-Taste, um zu den Schaltperioden des Dienstag weiterzurücken.

Sie können jetzt die Schaltperioden des Dienstag in genau der gleichen Weise eingeben.

Die ZEITR : 1	
1) S:HH:MM	E:HH:MM

Sollten die Schaltperioden am Dienstag die gleichen sein, so können Sie die COPY-Taste drücken und dadurch werden alle Schaltzeiten vom vorherigen Tag übernommen. Wenn sie zum Beispiel die COPY-Taste im Zeitraum 1 des Dienstag drücken würden, so würden alle Schaltzeiten des Montag übernommen, und der Heatmiser würde auf Mittwoch vorrücken.

Die Anzeige sieht dann ungefähr so aus:

KOPIE ALLE DATEN	
Mon auf Die	



Benutzen Sie die DEL-Taste, um fehlerhafte Eingaben zu korrigieren. Allgemein gilt, dass wenn bei einer Anzeige ENTER gedrückt wird, die derzeitigen Einstellungen beibehalten werden.

System

Dieser Bereich ermöglicht Ihnen, System-Datum und -Uhrzeit und die Sicherheitskodes des Systems einzustellen.

System-Uhrzeit

- Drücken Sie, vom Normalbetriebsmodus herkommend, PROG und geben Sie dann den Benutzer-Sicherheitscode ein.
- Drücken Sie PROG und geben Sie den Benutzercode ein
- Drücken Sie jetzt 3 für „System“
- Drücken Sie jetzt 1 für „System-Uhrzeit“
- Nun werden Sie aufgefordert, die neue Uhrzeit einzugeben (benutzen Sie hierzu die 24-Stunden-Schreibweise)
- Drücken Sie, wenn Sie die neue Uhrzeit eingegeben haben, die ENTER-Taste.
- Nun werden Sie aufgefordert, das System-Datum einzugeben. (das Datumsformat ist TT:MM:JJ)
- Drücken Sie, wenn Sie das neue Datum eingegeben haben, die ENTER-Taste.
- Nun werden Sie aufgefordert, den Wochentag einzugeben.

1 > SYSTEMZEIT	
2 > SYSTEMKODE	

ZEIT NUN: 13.07	
ZEIT NEU: HH:MM	

DAT NUN: 19-05-03	
DAT NEU: TT:MM:JJ	

EING WOCHENTAG	
1 == Mon 7 == Son	

- Drücken Sie, wenn Sie den neuen Wochentag eingegeben haben, die ENTER-Taste. Der Regler geht zurück auf die Menü-Anzeige. Drücken Sie RUN, um zum Normalbetriebsmodus zurückzukehren.

System-Kode

- Drücken Sie PROG und geben Sie den Sicherheitskode ein.
- Drücken Sie 3 für „System“
- Drücken Sie 4 für „Kode“. Sie werden nun aufgefordert, den Kode anzugeben, den Sie ändern möchten.

1 > Manager-Kode: Dieser Kode gibt Zugriff auf alle Dateneinstellungen.

2 > Eingriff-Kode: Dieser Kode gibt Zugriff auf die Eingriff (Override)- und Sommerfunktionen.

1 > MANAGER-KODE
2 > BEDIENER-KODE

Geben Sie, um den Kode zu ändern, einfach den neuen Kode ein, sobald Sie dazu aufgefordert werden.

KODE NUN: 0000
KODE NEU: ????

Durch Drücken von RUN kommen Sie zum Normalbetriebsmodus zurück.



Wenn Sie für den Manager- und Bediener-Kode die gleichen Zahlen eingeben, so wird der Bediener-Kode außer Betrieb gesetzt (d.h. kein Kode wird mehr benötigt, um auf den Bedienerbereich zuzugreifen)!

Anmelden

Der Heatmiser IQ+ zeichnet Laufstundenzahl sowie das Temperatur- und brennerprotokoll auf. Die Laufstundenzahl bezieht sich auf eine wöchentliche Gesamtmenge und wird für die vorherigen 12 Monate gespeichert. Das Temperatur- und brennerprotokoll wird alle 15 Minuten aufgezeichnet und wird für die Dauer von 12 Monaten gespeichert.

Durch Drücken von 1 wird Ihnen die Gesamtlaufstundenzahl dieser Woche angezeigt. Durch Drücken des linken Pfeils können Sie durch die vorherigen Wochen scrollen. Mit dem rechten Pfeil können Sie bis zum gegenwärtigen Datum zurückscrollen.

Durch Drücken von 2 werden Ihnen die zuletzt aufgezeichnete Temperatur sowie der Brennerstatus angezeigt. Durch Drücken des linken Pfeils können Sie durch die Datensätze scrollen (in Abständen von 15 Minuten). Mit dem rechten Pfeil können Sie bis zu dem letzten Datensatz zurückscrollen.

1 > BETR.STD
2 > TEMP & BRENNER

Urlaubszeiträume

Dies ist der Bereich, in dem Sie im Voraus bekannte Urlaubszeiträume für das ganze Jahr eingeben können, in denen eine Beheizung der Zone nicht erforderlich ist.

Es können fünf Urlaubszeiträume eingestellt werden. Folgen Sie den unten angegebenen Schritten, um dies zu tun:

- Drücken Sie die PROG-Taste und wählen Sie Option 4.
- Sie werden nun aufgefordert, Urlaubszeitraum 1 einzugeben. Zunächst müssen Sie das Anfangsdatum in der TT-MM-JJ-Schreibweise eingeben. Wenn Sie das Anfangsdatum des Urlaubszeitraumes eingegeben haben, drücken Sie ENTER.
- Geben Sie nun die Dauer des Urlaubszeitraumes ein. Berechnen Sie die Anzahl der Tage, an denen Sie keine Beheizung wünschen, in dem Sie vom ersten Tag Ihres Urlaubes bis zum letzten durchzählen. Geben Sie nun die Dauer ein.
- Drücken Sie, nachdem der erste Urlaubszeitraum eingegeben ist, die ENTER-Taste.
- Nun wird Urlaubszeitraum 2 angezeigt.

URLAUB ZEITR 1
A:00-00-00 D:00

Geben Sie die verbleibenden Urlaubszeiträume in der gleichen Weise ein. Wenn alle Urlaubszeiträume eingegeben sind, geht der Regler zurück auf das Datenmenü.

Wichtiger Hinweis:

1. Das Drücken der ENTER-Taste bewirkt zu jedem beliebigen Zeitpunkt, dass die derzeitige Einstellung beibehalten wird.

Vom Techniker vorzunehmende Einstellungen

Um in den Technikerbereich zu gelangen, drücken Sie die PROG-Taste und geben Sie den Techniker-Kode ein (Dieser befindet sich auf einem Etikett, das auf der Frontabdeckung oder auf der Tastatur-Rückseite klebt. Dieses Etikett sollte entfernt werden, nachdem der Regler in Betrieb genommen wurde.)

Jetzt wird eine Anzeige wie die Nebenstehende gezeigt.

1 > EING 2 > OPT 1
3 > KODE 4 > SETUP

1) EING

In diesem Bereich haben Sie die Möglichkeit, eine Höchstdauer für den manuellen Eingriff festzulegen.

MAXIM. EINGRIFF DAUER (STD): 08

Geben Sie zwei Ziffern ein (z.B. 08 für 8 Stunden) und drücken Sie auf ENTER, um die Einstellung zu bestätigen.

2) OPTI

Beim Heatmiser Economy 2000/2000L können Sie einstellen, ob eine Optimierung benötigt wird. (Weitere Informationen hierzu finden Sie unter Grundbegriffe).

Sollten Sie eine Optimierung wünschen, so wählen Sie 1 für „an“ und fahren Sie dann mit der Einstellung der folgenden Parameter fort.

OPTIMIERUNG?
1 > AN OD 2 > AUS

Wenn Sie „aus“ wählen, kommen Sie zum Setup-Menü zurück und die Optimierung ist abgeschaltet. Dies bedeutet, dass der Regler die Heizung zum eingegebenen Schaltzeitpunkt einschaltet, und dass es keine Aufwärmphase geben wird.

ÄNDERUNGSGESCHW. MINUTEN /°C : 20

Dies ist die Zeitdauer, die das Heizungssystem braucht, um die Gebäudetemperatur um 1.0°C zu erwärmen. Eine anfängliche Durchschnittszeit wäre 20 Minuten, aber da das Gerät selbstlernend ist, wird es sie täglich um 1 Minute verändern, bis sie an der korrekten Einstellung angelangt ist.

VORHEIZZEIT EIN MAXIMUM (STD): 03

Dies ist die Höchstzahl von Stunden vor dem eingegebenen Schaltzeitpunkt, die das Gerät an sein kann, um das Gebäude auf die Temperatur zu bringen. Die höchste einstellbare Stundenzahl ist 8, wobei der Durchschnittswert jedoch 3 Stunden ist.

3) KODE

Der Kode-Bereich funktioniert ganz normal und dient dazu, den Bedienerkode einzugeben.

SETUP

Dieser Bereich ermöglicht Ihnen, den Regler zu konfigurieren, den gewünschten Ventilator-Modus einzustellen, den internen Sensor zu aktivieren oder zu deaktivieren, und den Wartungsmodus einzustellen.

1 > KONFIG 2 > VEN
3 > SENSOR 4 > EXTRA

KONFIG (Konfiguration des Heatmiser IQ+)

Während des Konfigurationsvorganges werden Sie aufgefordert, den für das zu regelnde System benötigten Funktionsumfang auszuwählen.

- Drücken Sie PROG
- Geben Sie den Techniker-Kode ein
- Wählen Sie 4 für „Setup“
- Wählen Sie 1 für Konfiguration

Nun werden Sie aufgefordert, den benötigten Reglertyp einzugeben.

ANAS = 0 HIGH/LOW = 1
MODULIEREN = 2

LÜFTUNGSOPTION

Sie werden nun aufgefordert, anzugeben, ob die Lüftung benötigt wird.

LÜFTUNG BENÖTIGT N<0> J<1> : 1

Wenn Sie N wählen, erscheinen die beiden nächsten Anzeigen nicht!

Die Vorlüftung aktiviert das Relais 3 für den angegebenen Zeitraum, bevor das Heizungsrelais aktiviert wird.

VORLÜFTUNGSZEIT <MINS> :00

Die Nachlüftung aktiviert das Relais 3 für den angegebenen Zeitraum, nachdem das Heizungsrelais abgeschaltet wurde.

NACHLÜFTUNGSZEIT <MINS> :00

DOPPELZÜNDUNG

Die Einschaltung dieser Option liefert die folgende Funktion:

Wenn das Heizungsrelais das erste Mal in einem Schaltzeitraum aktiviert wird, schaltet es sich nach 30 Sekunden ab. Nach weiteren 10 Sekunden wird das Relais wieder neu aktiviert und funktioniert dann ganz normal.

Dies läuft zu Beginn eines jeden Schaltzeitraumes so ab und wird dazu benutzt, sicherzustellen, dass die Heizung auch dann gezündet wird, wenn sie in Bereichen installiert ist, in denen starke Kondensation auftritt.

DOPPELZÜNDUNG? N<0> J<1> : 0

Wenn die Nachlüftung aktiviert ist, läuft die Nachlüftung, bevor die Heizung noch einmal gezündet wird. Wenn keine Nachlüftungszeit ausgewählt worden ist, zündet die Heizung nach 10 Sekunden.

PRÜFSCHALTER

Nun werden Sie aufgefordert, einzugeben, ob Ihr System einen Prüfschalter aufweist.

PRÜFSCHALTER? N<0> J<1> : 0

Wenn ein Bedarf an Beheizung besteht, überprüft der Heatmiser zunächst, ob der Prüfschalter nicht geschlossen ist. Relais 3 wird dann aktiviert, um erforderlichenfalls Vorlüftung zu geben. Der Prüfschalter schließt sich dann, woraufhin Relais 2 aktiviert wird.

Wenn Sie die Konfigurationsprozedur vollständig durchlaufen haben, werden Sie zurück zur Setup-Menü-Anzeige geführt. Hier können Sie dann RUN drücken, um zum Normalbetriebsmodus zurückzukehren, oder Sie können jetzt mit dem Programmieren der anderen Einstellungen fortfahren, indem Sie eine andere Menü-Option wählen.

HOCH/RUNTER TEMPERATUR LIMIT

Nun werden Sie aufgefordert, die Höchstwerte für die Aufwärts-/ Abwärtstasten der Temperatur einzugeben. Mit einer auf 02 eingestellten Beschränkung können Sie die eingestellte Temperatur um 2°C erhöhen/reduzieren.

BENUTZER TEMP LIMIT TEMP: 00° C

VERSTÄRKUNG HOHER FLAMMEN

Das Einschalten dieser Option gibt die folgende Funktion:

VERSTÄRK HOHE FL
N<0> J<1> : 0

Immer, wenn ein Bedarf an Beheizung besteht, werden sowohl das Relais für die hohe als auch für die niedrige Flamme aktiviert. Nach 1 Minute überprüft das System, ob sowohl das Relais für die hohe als auch das für die niedrige Flamme benötigt werden. Wenn sich die Temperatur im einprogrammierten Differenzbereich bewegt, wird die hohe Flamme abgestellt.

HIGH/LOW-DIFFERENZ

Wenn der Heatmiser Mistral dazu eingesetzt wird, eine 2-Stufen-Heizung zu regeln, müssen Sie die High/Low-Differenzeinstellung eingeben.

- Sie werden jetzt aufgefordert, den High-Low-Differenzbereich einzugeben.
- Eine Differenzeinstellung von 4 und eine gewünschte Temperatur von 20.0°C bedeutet, dass der Regler sowohl die niedere als auch die hohe Flamme aktiv halten wird, bis eine tatsächliche Temperatur von 16.0°C erreicht wird. Dann setzt die hohe Flamme aus.

EING HILO
DIFFERENZ: 04

DOPPELZÜNDUNG

Die Einschaltung dieser Option liefert folgende Funktion:

Wenn das Heizungsrelais das erste Mal in einem Schaltzeitraum aktiviert wird, schaltet es sich nach 30 Sekunden ab. Nach weiteren 10 Sekunden wird das Relais wieder neu aktiviert und funktioniert dann ganz normal.

Dies läuft zu Beginn eines jeden Schaltzeitraumes so ab und wird dazu benutzt, sicherzustellen, dass die Heizung auch dann gezündet wird, wenn sie in Bereichen installiert ist, in denen starke Kondensation auftritt.

DOPPELZÜNDUNG?
N<0> J<1> : 0

PRÜFSCHALTER

Nun werden Sie aufgefordert, einzugeben, ob Ihr System einen Prüfschalter aufweist.

PRÜFSCHALTER?
N<0> J<1> : 0

Wenn ein Bedarf an Beheizung besteht, überprüft der Heatmiser zunächst, ob der Prüfschalter geschlossen ist. Die Heizungs-Ausgänge (High / Low) werden aktiviert, wenn der Schalter geschlossen ist.

HOCH/RUNTER TEMPERATUR LIMIT

Nun werden Sie aufgefordert, die Höchstwerte für die Aufwärts-/ Abwärtstasten der Temperatur einzugeben. Mit einer auf 02 eingestellten Beschränkung können Sie die eingestellte Temperatur um 2°C erhöhen/reduzieren.

BENUTZER TEMP LIMIT
TEMP: 00° C

Im Modulationsmodus können Sie den Temperaturbereich einstellen, in dem der Regler von 10V bis 0V modulieren wird. Der Heizungs-Ausgang bleibt aktiv.

Sie werden jetzt aufgefordert, die Differenzeinstellung einzugeben. Bei einem Differenzwert von 02 beginnt der Mistral 2°C unter der eingestellten Temperatur zu modulieren.

EING MODULATION
DIFFERENZ: 04

Sie werden nun aufgefordert, anzugeben, ob die Lüftung benötigt wird. Wenn Sie N wählen, erscheinen die beiden nächsten Anzeigen nicht.

LÜFTUNG BENÖTIGT
N<0> Y<1>:1

Die Vorlüftung aktiviert das Relais 3 für den angegebenen Zeitraum, bevor das nächste Heizungsrelais aktiviert wird.

VORLÜFTUNGSZEIT
<MINS>: 00

Die Nachlüftung aktiviert das Relais 3 für den angegebenen Zeitraum, nachdem das Heizungsrelais abgeschaltet wurde.

NACHLÜFTUNGSZEIT
<MINS>: 00

DOPPELZÜNDUNG

Die Einschaltung dieser Option ermöglicht die folgende Funktion:

Wenn das Heizungsrelais das erste Mal in einem Schaltzeitraum aktiviert wird, schaltet es sich nach 30 Sekunden ab. Nach weiteren 10 Sekunden wird das Relais wieder neu aktiviert und funktioniert dann ganz normal.

Dies läuft zu Beginn eines jeden Schaltzeitraumes so ab und wird dazu benutzt, um sicherzustellen, dass die Heizung auch dann gezündet wird, wenn sie in Bereichen installiert ist, in denen starke Kondensation auftritt.

DOPPELZÜNDUNG
N<0> Y<1>: 0

Falls die Nachlüftung aktiviert ist, kommt es zum Timeout des Ventilators, bevor die Heizung noch einmal gezündet wird.

PRÜFSCHALTER

Nun werden Sie aufgefordert, einzugeben, ob Ihr System einen Prüfschalter aufweist.

PRÜFSCHALTER?
N<0> Y<1>: 0

Wenn ein Bedarf an Beheizung besteht, überprüft der Heatmister zunächst, ob der Prüfschalter nicht geschlossen ist. Relais 3 wird dann aktiviert, um erforderlichenfalls Vorlüftung zu geben. Der Prüfschalter schließt sich dann, woraufhin Relais 2 aktiviert wird.

Wenn Sie die Konfigurationsprozedur vollständig durchlaufen haben, werden Sie zurück zur Setup-Menü-Anzeige geführt. Hier können Sie dann RUN drücken, um zum Normalbetriebsmodus zurückzukehren, oder Sie können jetzt mit dem Programmieren der anderen Einstellungen fortfahren, indem Sie eine andere Menü-Option wählen.

HOCH/RUNTER TEMPERATUR LIMIT

Nun werden Sie aufgefordert, die Höchstwerte für die Aufwärts-/Abwärtstasten der Temperatur einzugeben. Mit einer auf 02 eingestellten Beschränkung können Sie die eingestellte Temperatur um 2°C erhöhen/reduzieren.

BENUTZER TEMP LIMIT
TEMP: 00° C

VENTILATOR

Der Heatmiser IQ+ verfügt über zwei Ventilator-Funktionen.

MANUELL <0> D.VEN <1>
S.VEN <2> : 0

Dauerventilator: Am Heatmiser IQ+ gibt es die Option, einen ständigen Ventilatorbetrieb zu haben. Wenn sie eingeschaltet ist, bleibt das Ventilator-Relais während der eingegebenen Schaltzeiträume dauernd auf AN und funktioniert nach der Optimierer-Einstellung.

Sommerventilator: Am Heatmiser IQ+ gibt es die Option eines automatischen Sommerventilators. Sollte die tatsächliche Temperatur die Sommerventilator-Temperatur übersteigen, stellt der Heatmiser automatisch das Ventilator-Relais an, um im Gebäude für Belüftung zu sorgen. Ist der Sommer-Ventilator ausgewählt, wird der Benutzer aufgefordert, einen Sommer-Ventilator-Differenzwert einzugeben. Diese Einstellung ist die Anzahl der Grade über der TAG-Temperatur, bei der das Sommer-Ventilator-Relais aktiviert wird. Deshalb wird beispielsweise bei einer Tagestemperatur von 20.0°C und einem Differenzbereich von 03 das Sommer-Ventilator-Relais bei 23.0°C aktiviert. Die Mindestdifferenz ist 02 und die Höchstdifferenz 06°C.

Wenn Sie die gewünschte Option wählen, führt das dazu, dass eine weitere Temperatur-Sollwert-Anzeige benötigt wird. Diese ermöglicht Ihnen, eine Sommerventilator-Temperatur einzugeben. Siehe „Einstellung der Temperaturen“ auf Seite 46.

SENSOR

Der Heatmiser IQ+ verfügt über einen internen Sensor, der per Werkseinstellung deaktiviert ist. Sie können ihn aktivieren, indem Sie 1 für „Ja“ wählen, wenn Sie dazu aufgefordert werden.

INTERNER SENSOR
N <0> J <1> : 0

Der Heatmiser IQ+ ist mit einer Mittelwertbestimmung ausgestattet. Das System berechnet den durchschnittlichen Messwert und zeigt diesen an, sobald zwei Sensoren (intern und extern) erkannt werden.

Sie werden nun aufgefordert, den ersten Sensor zu justieren. Wenn Sie den internen Sensor aktiviert haben, wird zuerst dieser justiert, und erst danach der externe Sensor 1.

JUSTIEREN (20)
INTERN: 23.0

Falls Sie den internen Sensor nicht aktiviert haben, werden Sie aufgefordert, zuerst den ersten und dann den zweiten externen Sensor zu justieren.

JUSTIEREN (19)
EXTERN 1: 20.0

Geben Sie, um zu justieren, einfach den neuen Sensor-Messwert hinter dem Doppelpunkt ein.

WARTUNGSMODUS (NUR BEI BESTIMMTEN MODELLEN)

- Es werden Ihnen dann folgende Optionen vorgeschlagen:
1 > Service-Modus konfigurieren, oder
2 > Derzeitige im Gerät gespeicherte Gesamtlaufstundenzahl zurückstellen.
- Wenn Sie 1 drücken, um das Gerät zu konfigurieren, wird auf dem Bildschirm das Folgende dargestellt und Sie werden aufgefordert, den Service-Modus entweder an- oder auszuschalten.
- Hier werden sie aufgefordert, die Anzahl der Stunden, die das System betrieben werden kann, bevor sich der Wartungsalarm einschaltet, einzugeben. Drücken Sie auf ENTER, um die programmierte Einstellung anzunehmen.
- Geben Sie jetzt die vollständige Telefonnummer ein, die angezeigt werden soll, wenn ein Wartungsalarm ausgelöst wird.

1 > KONFIGURATION
2 > RESET DATEN

SERVICE MODE
1 > AN oder 2 > AUS

WARTUNGSMODUS
BETR.STD : 0000

SERVICE MODE
TEL.: 000000000

NACH AUSLÖSUNG EINES WARTUNGSSALARMS

Nach Auslösung eines Wartungsalarms wird jede Minute für 5 Sekunden eine Warnmeldung gezeigt. Sie können diese Warnmeldung löschen, indem Sie RESET drücken, während die Warnmeldung auf dem Bildschirm sichtbar ist.

Denken Sie daran, dass Sie solange keine weiteren Wartungsalarm-Meldungen erhalten, bis der Regler von einem Techniker zurückgestellt worden ist.

ZURÜCKSTELLEN DES WARTUNGSSALARMS

Nachdem ein Wartungsalarm ausgelöst wurde, können Sie die Zeiteinstellung neu einstellen, ohne dass Sie die Telefonnummer wieder neu eingeben müssen, indem Sie aus der Konfiguration/Reset-Anzeige RESET auswählen.

SYSTEM-RÜCKSTELLUNG (RESET)

Diese Funktion stellt die Einstellungen des Heatmiser zurück auf die Werkseinstellung.

Um den Regler zurückzustellen:

- Drücken Sie 4 für Setup
- Drücken Sie 4 für Extras
- Drücken Sie für Reset

RÜCKST ALLE DATE MIT ENTER BESTÄT

HEATMISER IQ+ Netzwerk-Benutzerbereich



Systemerklärung:

- Insgesamt können bis zu 30 IQ+ angeschlossen und vom Heizungssystem zentral gesteuert werden.
- Die Kommunikationsverbindung wird nur für das Kopieren/Anzeigen der Daten eines ans Netzwerk angeschlossenen IQ+ benutzt. Dies bedeutet, dass falls die Kommunikationsverbindung fehlschlagen sollte, das Heizsystem ganz normal weiter funktionieren wird.
- Aufgrund der Konstruktion der IQ+-Netzwerkssysteme gibt es kein "gemeinsames Tastenfeld" (Master Keypad). Jeder IQ+ kann so eingestellt werden, dass voller Netzwerk-Zugriff, nur lokaler Zugriff oder überhaupt kein Zugriff (Tastenfeld gesperrt) erlaubt wird
- Jeweils nur ein IQ+ kann über das Netzwerk zu einem gegebenen Zeitpunkt programmiert werden.

Bedienung der Funktionen eines vernetzten IQ+s im Normalbetriebsmodus

Die üblichen Funktionen im Normalbetriebsmodus sind:

1. Ventilator
 2. Manueller Eingriff
 3. Sommerbetrieb
 4. Anzeige des Sollwertes und des Uhrenstatus
 5. Gegenwärtige Uhrzeit / Datum anzeigen
 6. Zurückstellen vom "Abgestellt"-Status
- Verwenden Sie die linken/rechten Pfeiltasten, um innerhalb des Netzwerks zu scrollen. Während des Scrollvorgangs durch das Netzwerk werden Titel von jedem IQ+ angezeigt.
 - Drücken Sie Prog
 - Die Anzeige informiert den Benutzer, dass der Regler in den FERNSTEUERUNGSMODUS gelangt.
 - Der Benutzer kann jetzt jeden Vorgang im Normalbetriebsmodus ausführen, wie auf den Seiten 2-4 dieser Bedienungsanleitung beschrieben.

NB: Im Normalbetriebsmodus gilt Folgendes.

Nach 4 Minuten Untätigkeit erfolgt ein Timeout der Fernverbindung.

Sie können die Verbindung zum IQ+ im Netzwerk trennen, indem Sie die PROG-Taste drücken. Um die Netzwerkverbindung zu beenden, drücken Sie RUN.

Programmierung eines IQ+s im Netzwerk

Um mit der Programmierung eines IQ+s im Netzwerk zu beginnen, befolgen Sie die unten angegebenen Schritte:

- Drücken Sie Program und geben Sie dann den "Netzwerkzugriff-Kode" ein. Der Netzwerk-Kode befindet sich auf dem Datenetikett im Produkt.
- Nun stehen Ihnen zwei Möglichkeiten zur Auswahl:

"1 USE LOCAL DATA" "2 USE NW DATA"

Verwendung von Local Data (lokale Daten): Benutzen Sie diese Option, wenn Sie den lokalen IQ+ programmieren möchten und wollen, dass die Daten auf einen IQ+ im Netzwerk kopiert werden können.

Nun sehen Sie folgendes Menü.

1)TEMP	2) DATEN
3)SYSTEM	4) URLA

1) TEMP

Dieser Bereich dient dazu, die Temperatureinstellungen zu verändern.

- Sie werden jetzt aufgefordert, die gewünschte Temperatur für die Tageszeiträume (TAG) einzugeben (z.B. 22.0). Diese muss als dreistellige Zahl eingegeben werden.
- Nach Beendigung ENTER drücken. Wenn Sie ON wählen, können Sie eine Nachtabsenkungstemperatur eingeben.
- Drücken Sie Enter, wenn Sie die gewünschte Nachttemperatur eingegeben haben.
- Falls SOMMER-VENTILATOR aktiviert wurde, werden Sie zur Eingabe der Temperatur aufgefordert. Die Sommer-Ventilator-Temperatur wird durch eine Differenzwert-Einstellung berechnet. Ein Differenzwert von 03 bedeutet zum Beispiel, dass die Sommer-Ventilator-Temperatur 03°C über der TAG-Einstellung sein wird. Es besteht deshalb kein Risiko, dass die TAG-Temperatur höher als die VENTILATOR-Einstellung ist.

ZEITRAUM TAG
TEMP: 22.0°C

FROSTSCHUTZ
1 > AN OD 2 > AUS

FROSTSCHUTZ
TEMP: 05.0°C

SOMMER-VENTILATOR
DIFFERENZ: XX

2) DATEN

Dies ist der Bereich, in dem Sie die täglichen Schaltzeiträume festlegen können. Es stehen 3 Zeiträume pro Tag zur Verfügung.

Wenn Sie DATEN wählen, erscheint eine zusätzliche Anzeige über den üblichen Programmiermodus. Diese Anzeige ermöglicht Ihnen, die Schaltzeiten-Daten in andere Misträle im Netzwerk zu kopieren.

Wählen Sie 1, um die Schaltzeiten zu programmieren.

Wählen Sie 2, um mit dem Kopiervorgang der Schaltzeiten zu beginnen.

"SCHALTZEITRAUM"
1 > EIN 2 > KOPIE

Wenn Sie 2 für Kopie drücken, erscheint folgende Anzeige.

"COPY TIMES"
1 > ZONE 2 > ALLE

1 > Zone. Sie können nun eine Zone wählen, indem Sie die linken/rechten Pfeiltasten benutzen.

Wenn Sie die Zone gewählt haben, in die Sie die Zeiten kopieren möchten, drücken Sie Copy (Kopie).

2 > Alle. Durch die Wahl dieser Option können Sie die Zeiten in alle Misträle im Netzwerk kopieren.

3) SYSTEM

Dieser Bereich ermöglicht Ihnen, System-Datum und -Uhrzeit und die Sicherheitscodes des Systems einzustellen.

Systemuhrzeit

- Drücken Sie, vom Normalbetriebsmodus herkommend, PROG und geben Sie dann den Benutzer-Sicherheitscode ein.
- Drücken Sie PROG und geben Sie den Benutzercode ein.
- Drücken Sie jetzt 3 für „System“.
- Drücken Sie jetzt 1 für „System-Uhrzeit“.
- Nun werden Sie aufgefordert, die neue Uhrzeit einzugeben (benutzen Sie hierzu die 24-Stunden-Schreibweise).
- Drücken Sie, wenn Sie die neue Uhrzeit eingegeben haben, die ENTER-Taste.
- Nun werden Sie zur Eingabe des neuen Datums aufgefordert, drücken Sie die ENTER-Taste.
- Drücken Sie, wenn Sie das neue Datum eingegeben haben, die ENTER-Taste.
- Sie werden nun aufgefordert, den Wochentag einzugeben.
- Drücken Sie, wenn Sie den neuen Wochentag eingegeben haben, die ENTER-Taste.
- Der Regler geht zurück auf die Menü-Anzeige.
- Drücken Sie RUN, um zum Normalbetriebsmodus zurückzukehren.

1 > SYSTEM ZEIT
2 > SYSTEM KODE

ZEIT NUN: 13.07
ZEIT NEU: HH:MM

DAT NUN: 19-05-04
DAT NEU: TT:MM:JJ

EING WOCHENTAG
1 = Mon 7 = Son

System-Kode

- Drücken Sie PROG und geben Sie den Sicherheitscode ein.
- Drücken Sie 3 für „System“
- Wenn Sie 4 für „Kode“ drücken, werden Sie aufgefordert, den Kode anzugeben, den Sie ändern möchten.

1 > Manager-Kode: Dieser Kode gibt Zugriff auf alle Dateneinstellungen.

2 > Eingriff-Kode: Dieser Kode gibt Zugriff auf die Eingriff (Override)-, Ventilator- und Sommerfunktionen.

4) URLA

Wenn Sie URLA wählen, erscheint eine zusätzliche Anzeige über den üblichen Programmiermodus. Diese Anzeige ermöglicht Ihnen, die Urlaubszeiträume in andere IQ+ im Netzwerk zu kopieren.

Wählen Sie 1, um die Urlaubszeiträume zu programmieren.

Wählen Sie 2, um mit dem Kopiervorgang der Urlaubszeiträume zu beginnen.

```
"URLAUB"
1 > SET 2 > KOPIE
```

Wenn Sie 2 für Kopie drücken, erscheint folgende Anzeige.

```
"KOPIE URLA"
1 > ZONE 2 > ALLE
```

1 > Zone. Nun können Sie nun mit den linken/rechten Pfeiltasten eine Zone wählen. Wenn Sie die Zone gewählt haben, in die Sie die Urlaubszeiträume kopieren möchten, drücken Sie Copy.

2 > Alle. Durch die Wahl dieser Option können Sie die Zeiten in alle IQ+ im Netzwerk kopieren.

Verwendung von NW Data (Netzwerk-Daten): Dies ermöglicht dem Benutzer, einen IQ+ im Netzwerk zu wählen und zu programmieren. In diesem Modus können Sie den lokalen IQ+ nicht programmieren und es ist auch nicht möglich, mit der allgemeinen Kopierfunktion die Daten auf den lokalen IQ+ zu kopieren.

- Durch Drücken auf die Vorwärts- und Rückwärtspfeiltasten werden die Namen der im Netzwerk verfügbaren IQ+ angezeigt.
- Wenn Sie den IQ+ identifiziert haben, den Sie programmieren möchten, warten Sie 5 Sekunden ab und der IQ+ wird automatisch folgende Anzeige darstellen.
- Befolgen Sie die Anweisungen auf Seiten 2-3, um detaillierte Programmierung in diesem Modus vorzunehmen.

```
"! REGLER-WAHL"
* ZURÜCK VOR *
```

```
"1 > TEMP DATEN"
"3 > SYSTEM URLA"
```

Netzwerk-Setup-Bereich

Um den IQ+ im Netzwerk einzustellen, befolgen Sie die unten aufgeführten Schritte. Sie sollten diese Schritte für jeden einzelnen IQ+ im Netzwerk wiederholen.

Wichtig: Stellen Sie die Aussenstation 1 zuletzt ein.

- Drücken Sie Program und geben den Netzwerk-Setup-Kode ein. (Der Netzwerk-Setup-Kode befindet sich auf dem Datenetikett im Inneren des Produkts)
- Sie werden nun aufgefordert, die Stationnummer einzugeben. SIE sollten eine zweistellige Nummer für jeden Mistral im Netzwerk eingeben. Einem IQ+ muss die ID-Nummer 01 vergeben werden.
- Sie werden jetzt aufgefordert, einen Titel für diesen IQ+ einzugeben. Sie können einen bis zu 11 Zeichen langen Titel eingeben. Geben Sie den Titel ein, indem Sie die gewünschten Buchstaben mit den Buchstabentasten auswählen, und drücken Sie zur Bestätigung ENTER.

```
" ** WARNUNG ** "
"ENTRY CODE:????"
```

```
"NETZWERK ID-Nr"
"FÜR DIESE EINHEIT: XX"
```

```
"REGLER-NAME?"
"XXXXXXXXXX "
```

- Sie werden nun aufgefordert, die gewünschte Art des Zugangs anzugeben: "lokal", "gesperrt" oder "voll".

"ZUGANG? LOKAL <0>"
"GESPERRT<1> VOLL <2>"

- "Lokal" = Dies bedeutet, dass der IQ+ lokal betrieben werden kann, er kann jedoch nicht benutzt werden, um auf andere IQ+ im Netzwerk zuzugreifen.
- "Gespart" = Dies bedeutet, dass der IQ+ gesperrt wird und nicht benutzt werden kann.
- "Voll" = Dies bedeutet, dass der IQ+ lokal benutzt werden kann und auch den Zugang auf andere IQ+ im Netzwerk ermöglicht.

- Sie werden nun aufgefordert, anzugeben, ob Sie der Fernsteuerung eine Rückstellungsfunktion geben möchten. Wenn aktiviert, der Benutzer wird benachrichtigt, wenn ein Heizkörper abgestellt wird. Diese Information wird angezeigt auf den IQ+, die auf Gewährung "vollen" Zugangs eingestellt worden sind. Der Benutzer wird auch in der Lage sein, über das Netzwerk einen Rückstell-Signal zu senden, das den abgestellten Heizkörper zurückstellt.

"RÜCKSTELLUNG PER
FERNSTEUERUNG ERLAUBEN?"
" N<0> Y<1>; 0 "

Einstellung der Station 1 (Sie sollten dies am Ende durchführen)

- Sie werden zur Eingabe des Netzwerk-Kodes aufgefordert, wenn Sie Aussenstation 1 einstellen. Das ist ein vierstelliger Code, durch den Sie sich Zugang zu allen anderen IQ+ im Netzwerk verschaffen können. Wenn Sie diesen Code eingeben, wird er an alle IQ+ im System gesendet.
- Nun werden Sie aufgefordert, die Anzahl der Regler im System einzugeben.

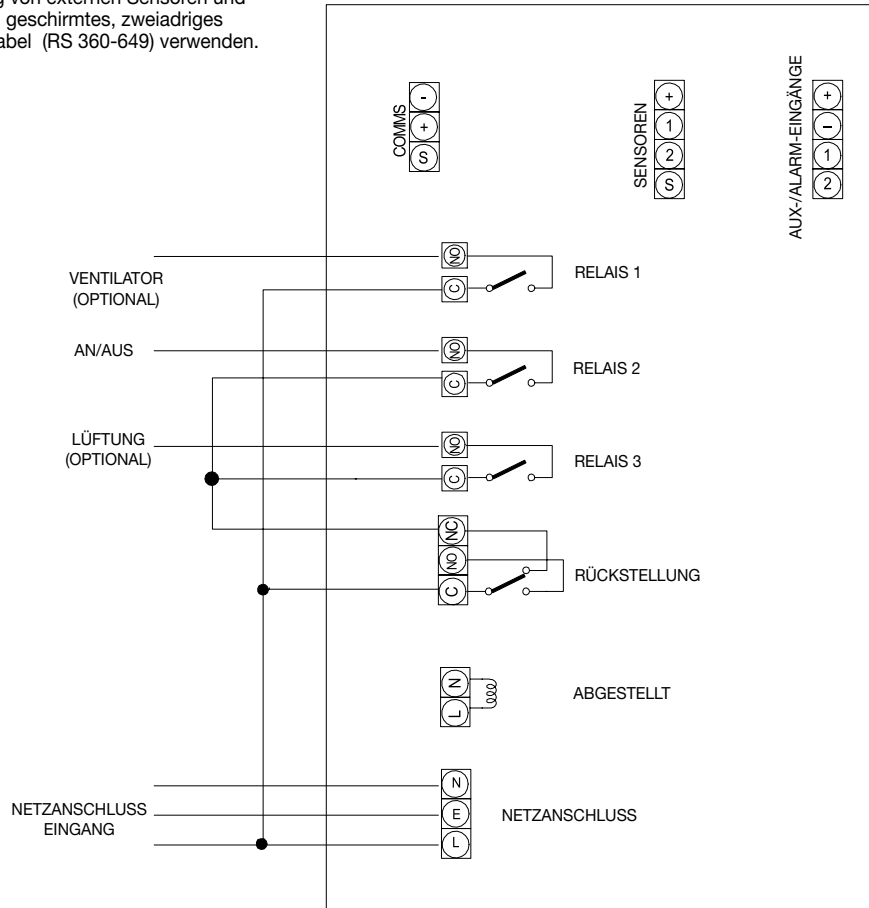
"SET NETWORK CODE"
" XXXX "

"ENTER NUM OF CTL"
"1 BIS 30: "

SYSTEMSPEZIFIKATION

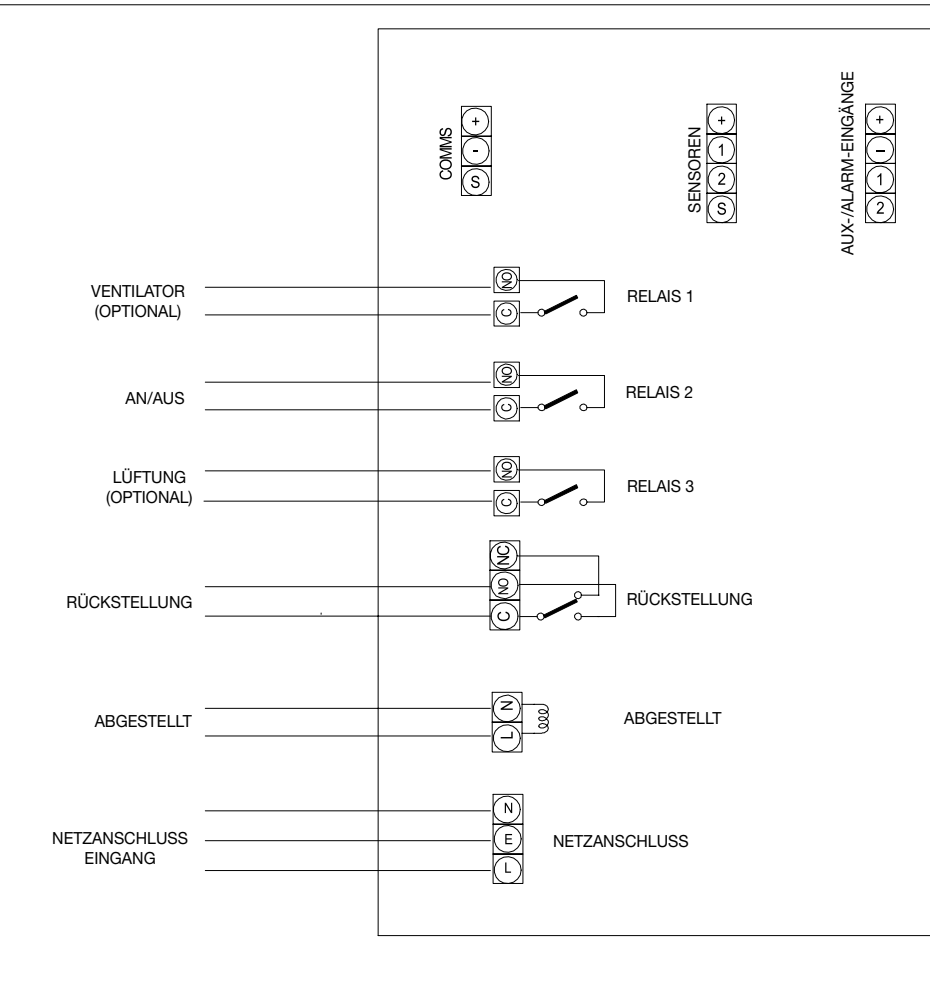
Gehäuse:	Acrylnitril-Butadien-Styrol (ABS), feuerhemmend
Abmessungen:	222mm x 156mm x 61mm (Länge x Höhe x Tiefe)
Gewicht:	1.3kg
Relais-Ausgänge:	
Mistral =	Relais 1 = Spannungsfreie, einpolige Arbeitskontakte. Relais 2 = Spannungsfreie, einpolige Arbeitskontakte. Relais 3 = Spannungsfreie, einpolige Arbeitskontakte. Relais 4 = Spannungsfreie, einpolige Arbeits- und Ruhekkontakte. 3 A 230 V Wechselstrom (mit Widerstand) Relais 1-3
Alarm-Eingang	230 V Wechselstrom, 5 mA max.
Stromversorgung	230 V Wechselstrom + 10% 50 Hz
Sensoren	Nur Heatmiser-Sensoren benutzen. Zur Verdrahtung von Heatmiser-Sensoren geschirmtes, zweiadriges Beldon 8451-Kabel verwenden. Ersatzteil-Nummer der Electronics Industries Association: RS-Teil 360-649.
Netzausfallschutz	Bei 25°C mindestens 3 Jahre

Zur Verdrahtung von externen Sensoren und Comms-Kabeln geschirmtes, zweiadriges Beldon 8451-Kabel (RS 360-649) verwenden.



Die Rückstell-Funktion trennt für einige Sekunden die Spannungsversorgung zum Heizkörper bzw. zu den Heizkörpern.

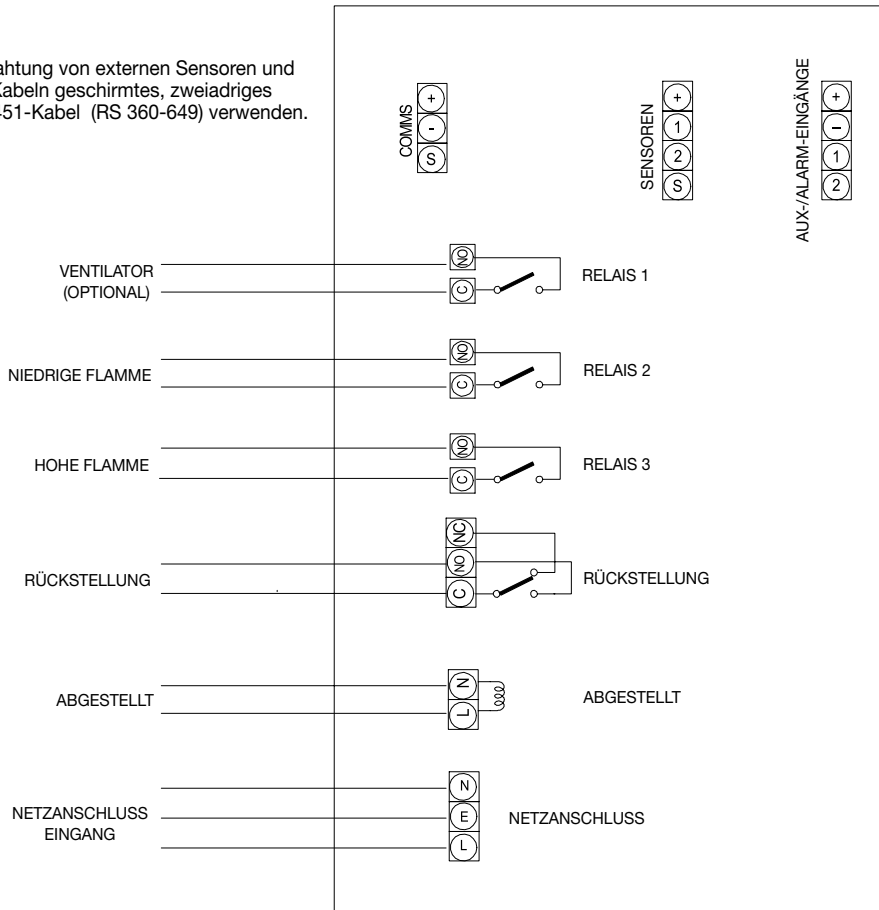
IQ+ AN_AUS RADIANT HEIZKÖRPER
HEATMISER UK LTD
06 JANUAR 2006



Zur Verdrahtung von externen Sensoren und Comms-Kabeln geschirmtes, zweiadriges Beldon 8451-Kabel (RS 360-649) verwenden.

IQ+ AN/AUS WARMLUFT HEATER
HEATMISER UK LTD
06 JANUAR 2006

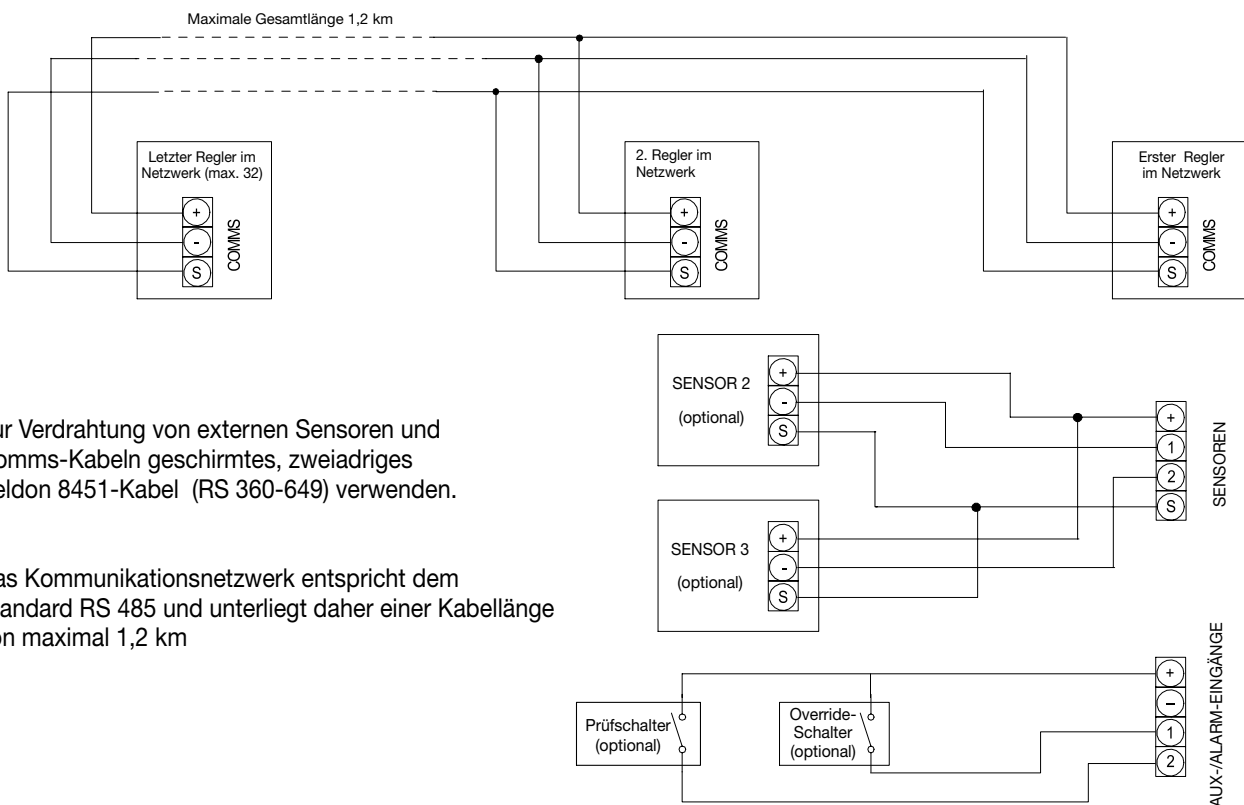
Zur Verdrahtung von externen Sensoren und Comms-Kabeln geschirmtes, zweiadriges Beldon 8451-Kabel (RS 360-649) verwenden.



N.B. Die Lüftungsfunktion ist im High/Low-Betriebsmodus NICHT verfügbar.

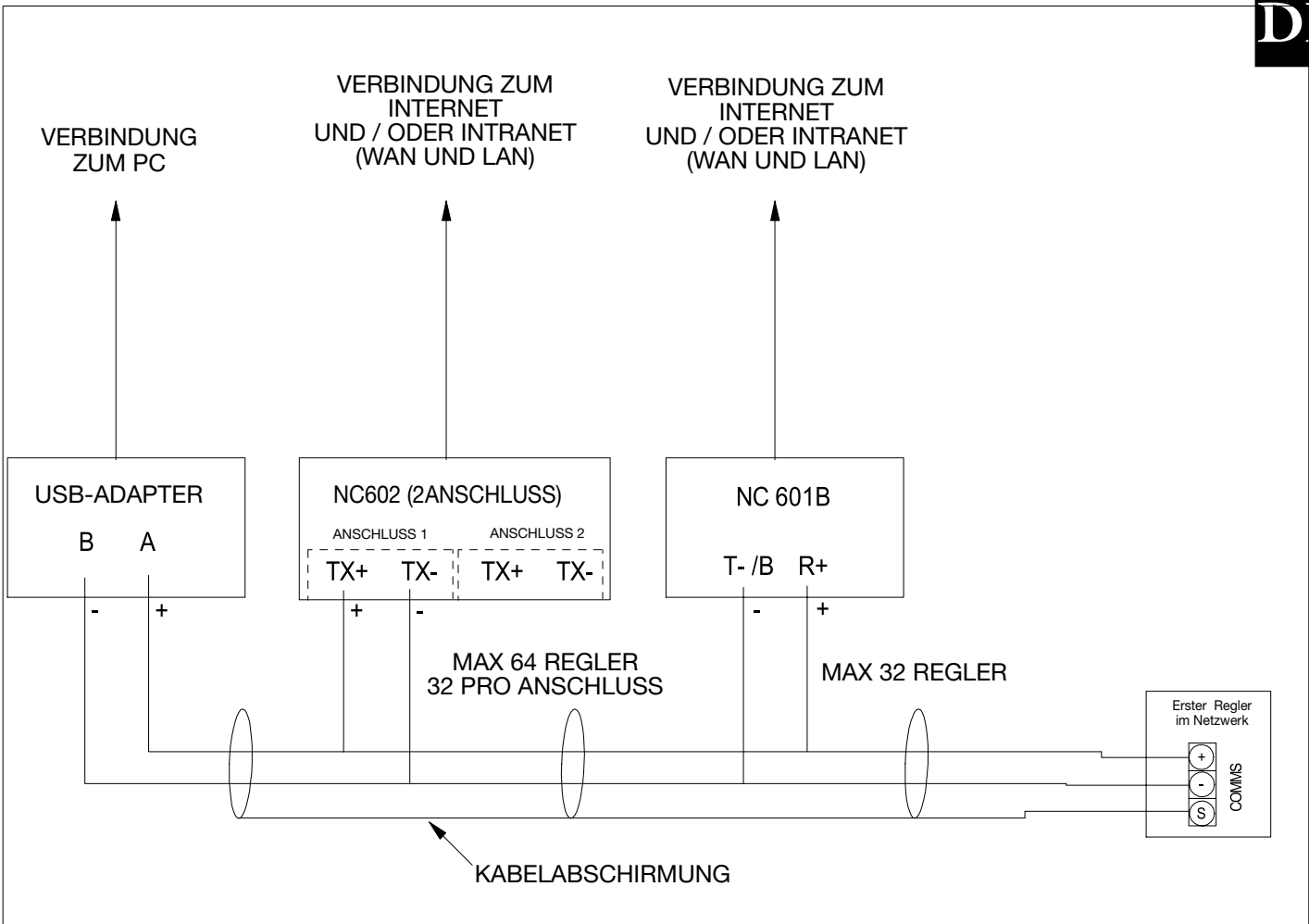
IQ+ HOHE/NIEDRIGE RADIANT HEIZKÖRPER
HEATMISER UK LTD
06 JANUAR 2006

SENSOREN-, COMMS- UND AUX-VERDRÄHTUNG FÜR DIE IQ+



Zur Verdrahtung von externen Sensoren und Comms-Kabeln geschirmtes, zweiadriges Beldon 8451-Kabel (RS 360-649) verwenden.

Das Kommunikationsnetzwerk entspricht dem Standard RS 485 und unterliegt daher einer Kabellänge von maximal 1,2 km



INHOUD

ONDERWERP	BLZ.
Inhoudsopgave	81
Taalkeuze	82
Standaard termen	82
Normale werking	82
Instelling tijdelijk opheffen.....	83
Zomerprogramma	83
Datum.....	83
Blokkering/Reset	83
Ventilator voor de zomer	84
Programmeren	
De temperatuur instellen.....	84
Data instellen	85
De tijd instellen	85
De code instellen	86
Vakantie	86
Instellingen van het systeem	
Opzet tijdelijke opheffing (maximaal)	87
Opzet optimalisatie	87
De code instellen	87
Config - Bedieningstype.....	87
Configuratie / Opzet	
Configureren (Aan/Uit Type): Optie Aftappen, Dubbele Ontsteking, Controleschakelaar	88
Configureren (Hoog/Laag Type): Hoge Vlam, Hoog/Laag Differential, Dubbele Ontsteking, Controleschakelaar	89
De Heatmiser IQ+ (Modulate Type) Configureren.....	90
Systeemopzet	
Ventilator	91
Sensor	91
Serviceprogramma.....	91
Service Alarm geactiveerd	91
Service Alarm Resetten	92
Systeem reset.....	92
Netwerkgebruiker-sectie	96
Technische gegevens	
Specificatie / Zekering	96
Bedradingsdiagramms	97-99

Om de gewenste taal te selecteren drukt u op PROG, voert u code 2305 in en drukt u op ENTER. Kies vervolgens de gewenste taal.

Algemene Termen

“**Zelflerende optimalisatie**” houdt in dat de Heatmiser zelf automatisch de begintijd berekent om te verzekeren dat het gebouw de gewenste temperatuur heeft voor de geprogrammeerde schakeltijd. Dit gebeurt aan de hand van interne temperatuurcontroles. Hierdoor worden de verwarmingstijden bijv. bij zachter weer verkort en wordt er dus energie bespaard.

Voorverwarming houdt het aantal uur in dat het systeem wordt aangezet voordat de geprogrammeerde tijd aanbreekt (bij optimalisatie). Deze periode wordt ingesteld via de code voor techniciën en hiervoor geldt maximaal 8 uur.

De verandersnelheid houdt de tijd in die nodig is om de temperatuur in het gebouw 1.0°C te laten stijgen. De tijd die in de fabriek hiervoor is ingesteld bedraagt 20 minuten maar de verwarming zal zich automatisch aanpassen aan de materialen van het gebouw.

Instelling tijdelijk opheffen: Met de functie voor tijdelijk opheffen op de Heatmiser kan de gebruiker de instelling voor een zone voor een bepaald aantal uren tijdelijk opheffen, om van de geprogrammeerde instelling van het systeem af te wijken. Een maximum kan worden ingesteld om ervoor te zorgen dat gebruikers hier geen overdreven lange periodes voor invoeren.

Status schakelperiode:

- **Dag** houdt in dat de verwarming op een bepaalde schakeltijd is ingesteld. (Bijv. tussen 07.00 en 08.00 staat de verwarming op DAG. Buiten deze periode op NACHT).
- **Nacht** houdt in dat er geen schakeltijden zijn geprogrammeerd. Op deze tijden wordt de verwarming teruggezet op de nachttemperatuur.

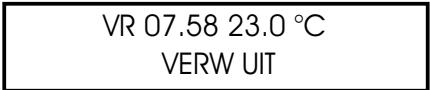
De 2000L is standaard uitgerust met een functie **blokkering & reset** waardoor bij een blokkering (oververhitting, enz.) automatisch een signaal van de verwarming naar de Heatmiser wordt gestuurd. Zodra de fout is verholpen wordt een resetsignaal naar de verwarming gestuurd om de blokkering op te heffen.

Normale werking houdt in dat de verwarming normaal functioneert en het programma voor programmeren niet actief is (op het display wordt de tijd/dag aangegeven). Niet vergeten om na veranderingen in de instelling van de Heatmiser te hebben aangebracht op RUN te drukken om naar normale werking terug te keren.

Normale werking

Op de Heatmiser Mistral vindt u een hoofddisplay voor RUN (normale werking) en een informatiedisplay. Deze zijn hieronder uitgelegd:

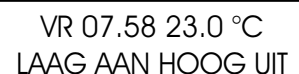
Normale werking Aan/Uit



VR 07.58 23.0 °C
VERW UIT

Dit scherm geeft de tijd, de huidige temperatuur en de status van het verwarmingsrelais aan (AAN of UIT)

Normale werking Hoog/Laag



VR 07.58 23.0 °C
LAAG AAN HOOG UIT

Dit scherm geeft de tijd, de huidige temperatuur en de status van de hoge en de lage vlam aan

Wanneer u op INFO drukt gevolgd door optie 1, wordt het volgende display aangegeven:

Dit display geeft de doeltemperatuur aan met de status van de schakelperiodes.



DOELTEMP: 21.0 °C
TIJD KLOK: DAG

Tijdelijk Opheffen

U kunt de instelling van de Heatmiser IQ+ tijdelijk opheffen en op dag of nacht zetten om van de instelling van het systeem af te wijken. De maximale tijd waarvoor van de instelling van het systeem kan worden afgeweken is door de installateur ingesteld.

Om de periode in te stellen waarvoor van de instelling wordt afgeweken

- Vanaf RUN (normale werking)
Druk op tijdelijk opheffen en voer zonnodig de veiligheidscode in.
- Druk op 1) voor tijdelijk opheffen.
- Druk op 1 of 2 om de instelling voor de zone tijdelijk op te heffen:
AAN (1) of UIT (2).
- U wordt nu gevraagd de lengte van de periode in te voeren.
- Als de temperatuur voor de zone hoger ligt dan de bedoeling is, wordt het volgende op het display aangegeven. Met tijdelijk opheffen kan alleen de periode worden veranderd maar niet de temperatuur. Deze foutboodschap wordt ook aangegeven als een te lange opheffingstijd wordt ingevoerd.
- Het display met de status geeft vervolgens aan voor welke zone de tijdelijke opheffing geldt.

Ma 13:06 20.0 C
TIJD KLOK: DAG

1 > T OPHEFFEN
2 > ZOMERPROGRAMMA

TIJDELIJK OPHEFFEN NU
1 > AAN of 2 > UIT

INSTELLING TIJDELIJK OPHEFFEN
MAXIMUM (04): 03

** OPGELET **
ONGELDIGE DATA

Ma 13:06 20.0 C
Status: TIJDELIJK OPHEFFEN

Om een opheffingsperiode te annuleren herhaalt u de stappen van hierboven en drukt u op 2 voor UIT en vervolgens voert u 00. in om de lengte van de opheffingsperiode te verkorten.

Zomerprogramma

Om het zomerprogramma in te stellen drukt u op tijdelijk opheffen/
zomerprogramma en vervolgens op 2 voor zomer.

1 > T OPHEFFEN
2 > ZOMERPROGRAMMA

Het systeem staat nu op het zomerprogramma wat inhoudt dat de verwarming op de nachttemperatuur wordt teruggezet.

Om deze functie te annuleren herhaalt u de stappen van hierboven.

Datum

Om de huidige tijd en datum aan te geven:

- Druk op INFO
- Druk op 2 voor datum.

12.13.49
ZA 11-12-02

Blokkering/Reset

Op de Heatmiser zit een blokkeringaansluiting die op een netvoeding onder spanning kan worden aangesloten om op afstand foutmeldingen te kunnen aangeven. Als de fout op de verwarming is verholpen, drukt u op RESET waardoor een resetsignaal naar de verwarming wordt gestuurd om de blokkering te resetten. Deze functie is vooral handig voor systemen die buiten handbereik worden geïnstalleerd.

Reset Van De Verwarming (zonder aanduiding blockkering)

Bij systemen zonder blokkeringsfunctie op afstand, kan de Heatmiser worden gebruikt om op afstand een resetsignaal te versturen.

Voer de volgende handelingen uit om in een dergelijk geval een resetsignaal te versturen:

Druk op RESET

Druk op 2 voor RESET

1 > INFO 2 > DATUM
3 > RESET BLOKKER

Het resetrelais trekt een seconde ann.

Manuele ventilator voor gebruik in de zomer

Als de Heatmiser is uitgerust met deze functie, is het mogelijk de ventilator te gebruiken ter ventilatie tijdens de zomermaanden.

- Als u op VENT drukt, wordt het volgende op het display aangegeven.
- U dient nu op ENTER te drukken of als u de handeling wilt staken, drukt u op DELETE.

VENT AAN?
ENTER TER BEVESTIGING



Om de ventilator te deactiveren, herhaalt u de stappen van hierboven.

De manuele ventilator zomer is niet beschikbaar als de constante ventilator of ventilator zomer aanstaat. Deze opties worden verderop in deze handleiding uitgelegd.

Programmeren

Als u vanaf het display voor RUN (normale werking) op PROG drukt, wordt het volgende op het display aangegeven:

** OPGELET **
TOEGANGSCODE: ????

U moet eerst de code invoeren voordat u de Heatmiser kunt programmeren. In de fabriek is deze code standaard op 0000 ingesteld maar om veiligheidsredenen kan hij door de gebruiker op elk willekeurig moment worden veranderd. Dit proces is verder uitgelegd in onderdeel 4 (Code).

1) TEMP

In dit onderdeel worden de temperatuurinstellingen veranderd.

Dit is het DATA-menu

1 > TEMP 2 > DATA
3 > SYSTEEM 4 > VAK

Als u op 1 drukt voor TEMP, wordt het volgende op het display aangegeven:

- U wordt nu gevraagd de gewenste dagtemperatuur in te voeren (bijv. 22.0). De temperatuur moet worden aangegeven met drie cijfers.
- Druk vervolgens op ENTER.
- U kunt nu aangeven of u de anti-nachtvorstfunctie wilt aanzetten. Als u op UIT drukt, keert u terug naar het menu voor DATA.
- Als u op AAN drukt, kunt u een lagere nachttemperatuur instellen.

PERIODE DAG INSTELLEN
TEMP: 22.0 C

ANTI-NACHTVORST
1 > AAN OF 2 > UIT

PERIODE NACHT INSTELLEN
TEMP: 05.0 C

De temperatuur van de ventilator zomer wordt berekend door een differentiaalinstelling. Een differentiaalinstelling van 03 betekent dat de temperatuur van de ventilator zomer 03°C boven de DAGinstelling bedraagt. Zodoende stijgt de DAGtemperatuur niet boven de instelling van de ventilator zomer.

VENTILATOR ZOMER
DIFFERENTIAAL:XX

- Druk op ENTER als u de gewenste nachttemperatuur heeft ingesteld en druk vervolgens op RUN om terug te keren naar normale werking.

2) DATA

In dit onderdeel worden de dagelijkse schakelperioden ingesteld. Per dag zijn er 3 periodes mogelijk.

- Druk op PROG en voer de veiligheidscode in.
- Druk nu op 2 om het DATA-menu in te voeren.

1) TEMP	2) DATA
3) SYSTEEM	4) VAK

U wordt nu op het display gevraagd om schakelperiode 1 voor de maandag in te voeren. Voer nu de gewenste begintijd in, bijv. 08:00 (gebruik hiervoor de 24-urige klok).

PERIODE MA: 1
B:UU:MM E:UU:MM

Druk vervolgens op ENTER om de begintijd te valideren en stel vervolgens de eindtijd in, bijv. 17:00 (gebruik hiervoor de 24-urige klok).

Druk vervolgens op ENTER om de geprogrammeerde schakeltijd te valideren en ga verder met periode 2 voor de maandag.

Andere periodes programmeren

U kunt nu op dezelfde manier periode 2 voor de maandag programmeren. Druk daarna op ENTER.

PERIODE MA: 2
1) B:21:00 E:23:00

Als u niet alle drie de schakelperiodes wilt gebruiken, laat u de tijden gewoon op UU:MM staan en de periode(s) wordt (worden) genegeerd.

PERIODE MA: 3
1) B:UU:MM E:UU:MM

Druk nu op ENTER om de schakelperiodes voor de dinsdag te programmeren.

Voer hiervoor dezelfde handelingen uit als hierboven.

PERIODE DI : 1
1) B:UU:MM E:UU:MM

Als u voor de dinsdag dezelfde schakelperiodes wilt als voor de maandag, drukt u op COPY (kopiëren) om alle schakeltijden van de vorige dag te kopiëren. Als u bijv. bij periode 1 voor de maandag op COPY (kopiëren) drukt, worden alle schakeltijden van de maandag gekopieerd en kunt u met het programmeren van de woensdag beginnen.

Een dergelijk display wordt afgebeeld: . . :

ALLE DATA KOPIEREN
MA NAAR DI



Druk op DEL om eventuele fouten te corrigeren.
Wanneer u op ENTER drukt, worden de huidige instellingen behouden.

System

Met dit onderdeel kunt u de systeemtijd/-datum en de veiligheidscodes voor het systeem instellen.

Systeemtijd

Vanaf RUN (normale werking) drukt u op PROG en voert u de veiligheidscode gebruiker in.

1 > SYSTEEMTIJD
2 > SYSTEEMCODE

Druk op PROG en voer de gebruikerscode in

Druk nu op 3 voor systeem

Druk nu op 1 voor systeemtijd

Voer nu de nieuwe tijd in

(gebruik hiervoor de 24-urige klok).

TIJD NU: 13.07
NIEUWE TIJD: UU:MM

Druk op ENTER wanneer u de gewenste nieuwe tijd heeft ingevoerd.

Voer nu de systeemdatum in (gebruik hiervoor DD:MM:JJ).

DATUM IS: 19-05-03
NIEUWE DATUM: DD:MM:JJ

Druk op ENTER wanneer u de gewenste nieuwe datum heeft ingevoerd.

Voer nu de dag van de week in.

DAG VAN DE WEEK INSTELLEN
1 ==MA- 7 ==ZO

Druk op ENTER wanneer u de gewenste nieuwe dag heeft ingevoerd.

De installatie wordt teruggezet op het menuscherm. Druk op RUN (normale werking) om terug te keren naar normale werking.

Systemcode



Druk op PROG en voer de veiligheidscode in.

Druk op 3 voor systeem

Druk op 4 voor code en selecteer de code die u wilt veranderen.

1 > Code manager - Met deze code heeft u toegang tot alle data.

2 > Code Instelling tijdelijk opheffen - Met deze code heeft u toegang tot de functies Instelling tijdelijk opheffen en Zomerprogramma.

1 > CODE MANAGER
2 > CODE OPERATOR

Om deze code te veranderen, voert u eenvoudigweg de nieuwe code in.

CODE NU: 0000
NIEUWE CODE: ????

Druk op RUN (normale werking) om terug te keren naar normale werking.

! Als u dezelfde code invult voor de manager als de operator, vervalt de code voor de operator. (oftewel er is geen code nodig om toegang te verkrijgen tot de functies voor de operator)

Registreren

De Heatmiser IQ+ registreert het aantal werkuren, de temperaturen en brandergeschiedenis. Het aantal werkuren is een wekelijks totaal en wordt geregistreerd voor de afgelopen 12 maanden. De temperaturen en brandergeschiedenis worden elke 15 minuten geregistreerd en ook opgeslagen gedurende 12 maanden.

Druk op 1 om de werkuurtotalen van deze week te tonen. Druk vervolgens op de linker pijltjestoets om van week naar week te navigeren. Door op de rechter pijltjestoets te drukken gaat u terug naar de huidige datum.

Druk op 2 om de meest recente vastgelegde temperatuur en branderstatus te tonen. Druk vervolgens op de linker pijltjestoets om van week naar week te navigeren. Door op de rechter pijltjestoets te drukken gaat u terug naar de huidige datum.

1 > WERKUREN
2 > TEMP & BRANDER

Vakantie

Met dit onderdeel kunt u eventuele vakantieperiodes voor het jaar instellen wanneer de verwarming in een bepaalde zone niet wordt gebruikt.

U kunt vijf vakantieperiodes instellen. Voer hiervoor de volgende instructies uit.

Druk op PROG en selecteer optie 4.

Voer nu vakantieperiode 1 in (gebruik voor de begindatum DD-MM-JJ).

Druk op ENTER wanneer u de begindatum voor de vakantieperiode heeft geprogrammeerd.

VAKANTIEPERIODE 1
B:00-00-00 L:00

Programmeer nu de lengte van de vakantieperiode. Bereken het aantal dagen dat u de verwarming uit wilt zetten vanaf de eerste t/m de laatste dag van de vakantieperiode. Voer nu dit aantal in.

Druk op ENTER wanneer u de eerste vakantieperiode heeft ingesteld.

Vakantieperiode 2 wordt nu op het display aangegeven.

Programmeer nu de overige vakantieperiodes op dezelfde manier. Wanneer u alle vakantieperiodes heeft geprogrammeerd, wordt de installatie teruggezet op het DATA-menu.

Belangrijk:

1. Wanneer u op ENTER drukt, worden de huidige instellingen behouden.

Om de functies van de techniciën in te stellen, drukt u op PROG en voert u de code techniciën in. (Te vinden op een sticker op de voor- of achterkant van het toetsenbord. Verwijder de sticker nadat het systeem in gebruik is genomen.)

Het volgende display wordt nu aangegeven.

1 > TIJDELIJK OPHEFFEN 2 > OPT 1
3 > CODE 4 > OPZET

1) TIJDELIJK OPHEFFEN

Met dit onderdeel kan een limiet worden ingesteld voor de functie voor het tijdelijk instellen van de instelling.

INSTELLING TIJDELIJK OPHEFFEN
MAX. TIJD: 08

Voer twee cijfers in (bijv. 08, voor 8 uur) en druk op ENTER om de instelling te valideren.

2) OPTI

U kunt de Heatmiser Economy 2000/2000L eventueel instellen op optimalisatie. (Zie Algemene termen voor informatie).

Druk op 1 voor AAN als u optimalisatie wilt gebruiken en ga verder met de volgende instellingen.

OPTIMALISATIE?
1 > AAN of 2 > UIT

Als u op UIT drukt, komt u terug op het menu voor opzet en staat optimalisatie uit. Dit houdt in dat de verwarming op de geprogrammeerde schakeltijd AAN wordt gezet zonder voorverwarming.

Voorverwarming is de tijd die de verwarming nodig heeft om de temperatuur in het gebouw met 1.0°C te laten stijgen. Een gemiddeld beginpunt zou 20 minuten zijn, maar aangezien het systeem "zelflerend" is, wordt deze tijd 1 minuut per dag veranderd om de juiste instelling te krijgen.

VERANDERSNELHEID
MINUTEN /C :20

Dit is het maximum aantal uren voor de ingevoerde schakeltijd waarvoor het toestel wordt aangezet om het gebouw op de gewenste temperatuur te krijgen. De maximale instelling hiervoor is 8 uur, hoewel 3 uur als gemiddelde geldt.

VOORVERWARMING INSTELLEN
MAX. TIJD :03

3) CODE

Het onderdeel voor code werkt gewoon en wordt gebruikt om de gebruikerscode in te stellen.

OPZET

Met dit onderdeel kunt u de verwarming configureren, de gewenste ventilator inschakelen, de interne sensor aan- en uitzetten en het serviceprogramma instellen.

1 > CONFIG 2 > VENTILATOR
3 > SENSOR 4 > EXTRA

CONFIG (De Heatmiser IQ+ configureren)

Tijdens het configuratieproces wordt u gevraagd de gewenste functies voor het systeem te selecteren.

Druk op PROG
Voer de code techniciën in
Druk op 4 voor opzet
Druk op 1 voor config

Vervolgens wordt gevraagd om het gewenste bedieningstype aan te geven.

AAN/UIT = 0 HOOG/LAAG = 1
MODULEREN = 2

OPTIE AFTAPPEN

Voer nu in of aftappen gewenst is.

AFTAPPEN GEWENST?
N<0> J<1> : 1

Als u N kiest, worden de volgende twee menu's overgeslagen.

Voor-aftappen activeert relais 3 voor de aangegeven tijd voordat het verwarmingsrelais wordt geactiveerd.

VOOR-AFTAPTIJD
<MIN> :00

Na-aftappen activeert relais 3 voor de aangegeven tijd nadat het verwarmingsrelais is uitgeschakeld.

NA-AFTAPTIJD
<MIN> :00

DUBBELE ONTSTEKING

Met deze optie wordt de volgende functie geactiveerd.

Wanneer het verwarmingsrelais voor de eerste keer na elke schakeltijd wordt geactiveerd, valt het na 30 seconden af. Na nog eens 10 seconden trekt het weer aan en werkt het normaal.

Deze functie treedt in werking na het begin van iedere schakelperiode en wordt gebruikt om te verzekeren dat de verwarming aanslaat wanneer deze staat opgesteld in ruimten met veel condensatie.

DUBBELE ONTSTEKING?
N<0> J<1> : 0

Als na-aftappen aanstaat, draait deze functie voordat de verwarming opnieuw wordt ontstoken. Als na-aftappen niet is geselecteerd, gaan er 10 seconden voorbij voordat de verwarming wordt ontstoken.

CONTROLESCHAKELAAR

Geef nu aan of er een controleschakelaar op het systeem zit.

CONTROLESCHAKELAAR?
N<0> J<1> : 0

Als de Heatmiser het sein krijgt aan te slaan, controleert hij eerst of de controleschakelaar niet gesloten is. Relais 3 trekt dan aan om eventueel voor-af te tappen. De controleschakelaar sluit zich waarna relais 2 aantrekt.

Na de configuratieprocedure wordt de installatie teruggezet op het menu voor opzet. Vanaf hier kunt u op RUN drukken om terug te keren naar normale werking of om een andere menuoptie te selecteren om nog andere instellingen te programmeren.

BOVEN/ONDER TEMPERATUURGRENS

Vervolgens wordt gevraagd om de grens in te voeren voor de boven/onder temperatuurtoetsen. Met een grens die is ingesteld op 02, kunt u de temperatuur verhogen/verlagen met 2°C

GEBR TEMP GRENS
TEMP: 00° C

HOGE VLAM

Met deze optie wordt de volgende functie geactiveerd:

HOGE VLAM
N<0> J<1> :0

Als de verwarming het sein krijgt aan te slaan, worden de relais geactiveerd voor zowel hoog als laag. Na 1 minuut controleert de verwarming of allebei de relais nodig zijn. Als de temperatuur zich binnen de geprogrammeerde differentiaalinstelling bevindt, wordt het relais voor de hoge vlam gedeactiveerd.

HOOG/LAAG DIFFERENTIAAL

Bij gebruik van de Heatmiser Mistral met hoog/laag (twee fase) verwarming dient u de hoog/laag differentiaalinstelling in te voeren.

Voer nu de hoog/laag differentiaalinstelling in.

VOER HOOG/LAAG
DIFFERENTIAAL IN:04

Een differentiaalinstelling van 4 en een gewenste temperatuur van 20.0 °C betekent dat er een lage en een hoge vlam zijn totdat de werkelijke temperatuur 16.0 bedraagt. Op dat moment valt de hoge vlam uit.

DUBBELE ONTSTEKING

Met deze optie wordt de volgende functie geactiveerd.

Wanneer het verwarmingsrelais voor de eerste keer na elke schakeltijd wordt geactiveerd, valt het na 30 seconden af. Na nog eens 10 seconden trekt het relais weer aan en werkt het normaal.

Deze functie treedt in werking na het begin van iedere schakelperiode en wordt gebruikt om te verzekeren dat de verwarming aanslaat wanneer deze staat opgesteld in ruimten met veel condensatie.

DUBBELE ONTSTEKING?
N<0> J<1> :0

CONTROLESCHAKELAAR

Geef nu aan of er een controleschakelaar op het systeem zit.

CONTROLESCHAKELAAR?
N<0> J<1> :0

Als de Heatmiser het sein krijgt aan te slaan, controleert hij of de controleschakelaar gesloten is. De verwarmingsuitgangen (hoog/laag) worden geactiveerd wanneer de schakelaar gesloten is.

BOVEN/ONDER TEMPERATUURGRENS

Vervolgens wordt gevraagd om de grens in te voeren voor de boven/onder temperatuurtoetsen. Met een grens die is ingesteld op 02, kunt u de temperatuur verhogen/verlagen met 2°C

GEBR TEMP GRENS
TEMP: 00° C

In de modulatiemodus, kunt u het temperatuurinterval instellen waarbinnen de bediening zal moduleren tussen de 10v en Ov. De warmte-uitvoer blijft actief.

Vervolgens wordt gevraagd om de differentiaalinstelling in te voeren. Met een differentiaal van 02, begint de Mistral te moduleren met 2°C onder de ingestelde temperatuur.

VOER MODULATIE IN
DIFFERENTIAAL: 04

Vervolgens wordt gevraagd om aan te geven of aftappen gewenst is. Door N te selecteren kunt u direct de volgende twee displays overslaan.

AFTAPPEN GEWENST?
N<0> J<1>:1

Voor-aftappen activeert relais 3 gedurende de aangegeven tijd voordat het verwarmingsrelais wordt geactiveerd.

VOOR-AFTAPTIJD
<MIN>: 00

Na-aftappen activeert relais 3 gedurende de aangegeven tijd nadat het verwarmingsrelais wordt geactiveerd.

NA-AFTAPTIJD
<MIN>: 00

DUBBELE ONTSTEKING?

Met deze optie wordt de volgende functie geactiveerd.

Wanneer het verwarmingsrelais voor de eerste keer na elke schakeltijd wordt geactiveerd, valt het na 30 seconden af. Na nog eens 10 seconden trekt het weer aan en werkt het normaal.

Deze functie treedt in werking na het begin van iedere schakelperiode en wordt gebruikt om te verzekeren dat de verwarming aanslaat wanneer deze staat opgesteld in ruimten met veel condensatie.

DUBBELE ONTSTEKING?
N<0> J<1>:0

Als na-aftappen aanstaat, draait deze functie voordat de verwarming opnieuw wordt ontstoken.

CONTROLESCHAKELAAR

Geef nu aan of er een controleschakelaar op het systeem zit.

CONTROLESCHAKELAAR?
N<0> J<1>:0

Als de Heatmiser het sein krijgt aan te slaan, controleert hij eerst of de controleschakelaar niet gesloten is. Relais 3 trekt dan aan om eventueel voor-af te tappen. De controleschakelaar sluit zich waarna relais 2 aantrekt.

Na de configuratieprocedure keert u terug naar het hoofdmenu. Vanaf hier kunt u op RUN drukken om terug te keren naar normale werking of om een andere menuoptie te selecteren om aanvullende instellingen te programmeren.

BOVEN/ONDER TEMPERATUURGRENS

Vervolgens wordt gevraagd om de grens in te voeren voor de boven/onder temperatuurtoetsen. Met een grens die is ingesteld op 02, kunt u de temperatuur verhogen/verlagen met 2°C

GEBR TEMP GRENS
TEMP: 00° C

VENTILATOR

De Heatmiser IQ+ heeft twee ventilatorfuncties.

MANUELE <0> C.VENT<1 >
Z.VENT<2> : 0

Manueel: De gebruiker kan manueel de ventilator aan/uit schakelen met de FAN toets.

Constante ventilator: Op de Heatmiser IQ+ heeft u een optie voor een constante ventilator. Als deze aanstaat, is het ventilatorrelais tijdens de geprogrammeerde schakeltijden permanent AAN en wordt de instelling van de optimalisatie gevolgd.

Ventilator voor de zomer: Op de Heatmiser IQ+ heeft u een optie voor een automatische ventilator voor de zomer. Wanneer de werkelijke temperatuur boven de instelling voor de Temp ventilator zomer stijgt, wordt het ventilatorrelais van de Heatmiser automatisch geactiveerd om ventilatie te bieden.

Als de ventilator zomer is geselecteerd, wordt de gebruiker gevraagd een differentiaal voor de ventilator zomer in te voeren. Deze instelling is het aantal graden boven de DAGtemperatuur dat het relais van de ventilator zomer wordt geactiveerd. Met een dagtemperatuur van 20.0 en een differentiaalinstelling van 03 wordt het relais van de ventilator zomer geactiveerd bij 23.0°C. De differentiaalwaarde is minimaal 02 en maximaal 06°C.

Als u de gewenste optie selecteert, wordt er nog een scherm aangegeven om de temperatuur in te stellen. Hiermee kunt u de temperatuur voor de ventilator voor de zomer instellen. Zie De temperatuur instellen op bladzijde 60.

SENSOR

De Heatmiser IQ+ is voorzien van een interne sensor die vanuit de fabriek uitgeschakeld wordt geleverd. Om deze in te schakelen drukt u op 1 voor Ja.

INTERNE SENSOR
N<0> J<1 > : 0

Op de Heatmiser IQ+ zit een functie om de gemiddelde temperatuur te berekenen. Het systeem berekent automatisch het gemiddelde van wat twee sensors (intern of extern) aangeven.

Ijk de eerste sensor; als u de interne sensor heeft ingeschakeld ijkt u deze eerst, gevolgd door een externe sensor.

IJKING (20)
INTERN: 23.0

Als u de interne sensor niet heeft ingeschakeld ijkt u eerst de eerste en dan de tweede afstandssensor.

IJKING (19)
AFSTAND 1 : 20.0

Voor het ijken voert u de nieuwe waarde van de sensor in.

SERVICEPROGRAMMA (alleen van toepassing op bepaalde modellen)

- Voer de code voor techniciën in en druk op 4 voor opzet, Druk op 4 voor extra's.
- U wordt nu gevraagd om:
1 > Het serviceprogramma te configureren of
2 > Het totaal aantal uur in gebruik te resetten.
- Als u op 1 drukt om het systeem te configureren wordt het volgende display aangegeven en vervolgens wordt u gevraagd het serviceprogramma AAN of UIT te zetten.
- U dient nu het aantal uur in te voeren dat het systeem mag draaien voordat het service alarm moet worden geactiveerd. Druk op ENTER om de geprogrammeerde instelling te valideren.
- U dient nu het telefoonnummer in te voeren dat u op het display wilt zien als het service alarm wordt geactiveerd.

1 >SERVICE
2 >SYSTEM RESET

1 >CONFIGURATIE
2 >DATA RESET

SERVICEPROGRAMMA
1 > AAN of 2 > UIT

SERVICEPROGRAMMA
UUR IN GEBRUIK: 0000

SERVICEPROGRAMMA
BEL: 00000000

SERVICE ALARM GEACTIVEERD

Als een service alarm is geactiveerd wordt er iedere minuut 5 seconden een waarschuwing op het display aangegeven. U kunt deze waarschuwing annuleren door op RESET te drukken terwijl de waarschuwing op het display te zien is.

Het systeem moet eerst door een techniciën worden gereset voordat nieuwe service alarms kunnen worden geactiveerd.

SERVICE ALARM RESETTEN

Als een service alarm is geactiveerd kunt u het aantal uren resetten zonder dat u het telefoonnummer opnieuw hoeft in te voeren. Druk hiervoor op reset vanaf het display voor configuratie/reset.

SYSTEEM RESET

Met deze functie kunt u de instellingen van de Heatmiser terugzetten op de fabriekswaarden.

Voer de volgende handelingen uit om het toestel te resetten:

- Druk op 4 voor opzet
- Druk op 4 voor extra's
- Druk op 2 voor reset

ALLE DATA RESETTEN ENTER TER BEVESTIGING

- Als u op dit moment op ENTER drukt, worden alle data gewist. Druk op DELETE om de handeling af te breken.
-

HEATMISER IQ+

Netwerkgebruiker-sectie



Systemomschrijving:

- Tot 30 IQ+s kunnen onderling worden verbonden om een gecentraliseerde bediening van het verwarmingssysteem mogelijk te maken.
- De communicatieverbinding is enkel nodig bij het kopiëren/bekijken van data vanuit één op het netwerk aangesloten IQ+. Dit wil zeggen dat in het geval dat de communicatieverbinding zou komen te vervallen het verwarmingssysteem blijft functioneren.
- Het ontwerp van het IQ+ netwerksysteem zorgt ervoor dat er geen "Master keypad" bestaat. Iedere IQ+ kan worden geconfigureerd om volledige netwerktoegang, enkel lokale toegang of helemaal geen toegang te bieden (toetsenbord geblokkeerd).
- Er kan enkel 1 IQ+ tegelijkertijd worden geprogrammeerd via het netwerk.

De normale RUN modus functies bedienen van een verbonden IQ+

De normale RUN modus functies zijn:

1. Ventilator
 2. Tijdelijk opheffen
 3. Zomermodus
 4. De status van de ingestelde waarde en tijd klok bekijken
 5. De huidige tijd en datum bekijken
 6. Een blokkering opheffen
- Gebruik de links/rechts pijltjestoetsen om u over het netwerk te verplaatsen. De naam van iedere IQ+ wordt weergegeven terwijl u zich verplaatst over het netwerk.
 - Druk op Prog
 - De display informeert de gebruiker over het feit dat de bediening overgaat op de REMOTE MODE.
 - De gebruiker kan nu alle normale RUN modus handelingen uitvoeren die worden beschreven op bladzijden 2-4 van deze handleiding.

NB: In de normale RUN modus is het volgende van toepassing.

Na 4 minuten waarbinnen geen activiteit heeft plaatsgevonden, wordt de afgelegen verbinding geannuleerd.

De verbinding met de verbonden IQ+ kan worden afgesloten door op de PROG toets te drukken. Druk op RUN om de netwerkverbinding af te sluiten.

Een verbonden IQ+ programmeren

Om te beginnen met het programmeren van een verbonden IQ+ dienen de volgende stappen te worden gevolgd:

- Druk op Program en voer de "Network Access Code" in. De netwerktoegangscode kan worden gevonden op de data label van het product.
- Vervolgens verschijnen er twee opties.

"1 LOK DATA GEBR"
"2 NWK DATA GEBR"

Lokale data gebruiken: Deze optie dient te worden gebruikt indien de lokale IQ+ moet worden geprogrammeerd en de data ook dient te kunnen worden gekopieerd naar een verbonden IQ+.

Vervolgens verschijnt het volgende menu.

1)TEMP	2) DATA
3)SYSTEEM	4) VAK

1) TEMP

Dit onderdeel dient voor het aanpassen van de temperatuurconfiguratie.

- Vervolgens wordt de gewenste temperatuur gevraagd voor de DAG periode (bijv.: 22.0). Dit dient te worden ingevoerd met drie cijfers.
- Druk op Enter na deze stap te hebben afgerond. Door hier AAN te selecteren kan een NACHT afnametemperatuur worden ingevoerd.
- Druk op Enter na de gewenste nachttemperatuur te hebben ingevoerd.
- Als S.FAN is ingeschakeld, wordt vervolgens gevraagd om de temperatuur. De zomerventilator-temperatuur wordt berekend op basis van een differentiaalinstelling. Zo geeft bijvoorbeeld een differentiaal van 03 aan dat de zomerventilator-temperatuur zich 3°C boven de DAG instelling zal bevinden. Hierdoor bestaat niet het gevaar dat de DAG temperatuur hoger zal zijn dan de VENTILATOR instelling.

INST DAG PERIODE
TEMP: 22.0° C

ANTI-NACHTVORST
1 > AAN OF 2 > UIT

INST NACHT PERIODE
TEMP: 22.0 C

ZOMERVENTILATOR
DIFFERENTIAAL: XX

2) DATA

Dit onderdeel dient voor het instellen van de dagelijkse schakelingsintervallen. Er zijn 3 schakelingsintervallen per dag beschikbaar.

Door DATA te selecteren wordt een scherm getoond met meer opties dan de standaard programmeringsmodus. Dit scherm maakt het kopiëren van de schakelingstijddata mogelijk naar andere Mistrals binnen het netwerk.

Selecteer 1 om de schakelingstijden in te stellen.
Selecteer 2 om het kopiëren van de tijden te starten.

"SCHAKELENTIJDEN"
1) INST 2) KOPIE

Door op 2 te drukken voor de optie Kopie wordt het volgende scherm weergegeven.

"TIJDEN KOPIËREN"
1) ZONE 2) ALL

- 1 > Zone. Dient voor het selecteren van een zone met behulp van de links/rechts pijltoetsen. Druk op Copy na de zone te hebben geselecteerd waarnaar de tijden dienen te worden gekopieerd.
- 2 > All. Deze optie dient voor het kopiëren van de tijden naar alle Mistrals binnen het netwerk.

3) SYSTEEM

Dit onderdeel dient voor het instellen van de systeemtijd-/datum en de beveiligingscodes van het systeem.

Systeemtijd

- Druk vanuit de normale RUN modus op PROG en voer de gebruikers beveiligingscode in.
- Druk op Prog en voer de gebruikerscode in.
- Druk vervolgens op 3 voor Systeem.
- Druk vervolgens op 1 voor de systeemtijd.
- Vervolgens wordt de gewenste tijd gevraagd (Voer deze waarde in op basis van de 24-uurs kloknotatie).
- Druk na de nieuwe tijd te hebben ingevoerd op de Enter toets.
- Vervolgens wordt de gewenste datum gevraagd, druk op de Enter toets.
- Druk na de nieuwe datum te hebben ingevoerd op de Enter toets.
- Vervolgens wordt om de dag van de week gevraagd.
- Druk na de nieuwe dag te hebben ingevoerd op de Enter toets.
- De bediening keert terug naar het menu scherm.
- Druk op Run om terug te keren naar de normale RUN modus.

1 > SYSTEEMTIJD
2 > SYSTEEMCODE

NU: 13.07
NIEUWE T: HH:MM

DATUM IS: 19-05-04
NIEUWE DATUM: DD:MM:YY

DAG VD WEEK INST
1 = MA 7 = ZO

Systemcode

- Druk op Prog en voer de beveiligingscode in.
- Druk vervolgens op 3 voor systeem
- Door optie 1 te selecteren voor Code wordt om de code gevraagd die dient te worden aangepast

1 > Beheerder - Deze code biedt toegang tot alle data-instellingen

2 > Gebruiker - Deze code biedt toegang tot de tijdelijke opheffing, ventilator en zomer functies

4) VAK

Door VAK te selecteren wordt een scherm getoond met meer opties dan de standaard programmeringsmodus. Dit scherm maakt het kopiëren van vakantieperiodes mogelijk naar andere IQ+s binnen het netwerk. Selecteer 1 om de vakantieperiodes in te stellen.

Selecteer 2 om het kopiëren van de vakantieperiodes te starten

```

"VAKANTIES"
1)INST  2) KOPIE
    
```

Door op 2 te drukken voor de optie Kopie wordt het volgende scherm weergegeven.

```

"VAK KOPIËREN"
1)ZONE  2) ALL
    
```

1 > Zone. Dient voor het selecteren van een zone met behulp van de links/rechts pijltjestoetsen. Druk op Copy na de zone te hebben geselecteerd waarnaar de vakantieperiodes dienen te worden gekopieerd.

2 > All. Deze optie dient voor het kopiëren van de tijden naar alle IQ+s binnen het netwerk.

Netwerkdata gebruiken: Dit dient voor het selecteren en programmeren van een verbonden IQ+. Vanuit deze modus kan de lokale IQ+ niet worden geprogrammeerd en kopieert de globale kopieerfunctie de data niet naar de lokale IQ+.

- Door op de achteruit en vooruit pijltjestoetsen te drukken worden de namen weergegeven van de IQ+s die via het systeem beschikbaar zijn.

```

"! BEDIEN SELECT!"
* ACHTER  VOORUIT *
    
```

- Wacht 5 seconden na de gewenste IQ+ te hebben geïdentificeerd om de IQ+ automatisch de volgende data weer te laten geven.

```

1)TEMP  2) DATA
3)SYSTEEM 4) VAK
    
```

- Volg de instructies op bladzijden 2-3 voor programmeringsdetails over deze modus.

Netwerkconfiguratie sectie

Volg de volgende stappen om de IQ+ aan te sluiten op het netwerk. Deze stappen dienen voor iedere IQ+ binnen het netwerk te worden herhaald.

Belangrijk: Programmeer het afgelegen station 1 als laatste.

- Druk op Program en voer de netwerkconfiguratiecode in. (De netwerkconfiguratiecode kan worden gevonden op de datalabel aan de binnenkant van het apparaat)
- Vervolgens wordt het gewenste stationnummer gevraagd. Er dient voor iedere IQ+ binnen het netwerk een twee cijfer tellend nummer te worden ingevoerd. Eén van de IQ+s dient te worden voorzien van het ID nummer 01.
- Vervolgens wordt de gewenste naam gevraagd voor deze IQ+. Er kan een naam worden ingevoerd van maximaal 11 karakters. De naam dient te worden ingevoerd met behulp van de alfabetische toetsen waarna op Enter dient te worden gedrukt om deze vast te leggen.

```

" ** OPGELET ** "
"TOEG CODE:???"
    
```

```

"NETWERK ID NR"
"VOOR DIT AP: XX"
    
```

```

"BEDIEN NAAM?"
XXXXXXXXXX
    
```

- Vervolgens wordt gevraagd of er een "Lokaal", "Blok" of "Voll" toegang dient te worden toegestaan.

TOEGANG LOK <0>"
1)LOK 2) BLOK

- "Lokaal" = Geeft aan dat de IQ+ lokaal kan worden gebruikt, maar niet via het netwerk kan worden benaderd.
- "Blokken" = Geeft aan dat de IQ+ is vergrendeld en niet kan worden gebruikt.
- "Volledig" = Deze optie geeft aan dat de IQ+ lokaal kan worden bediend maar ook kan worden gebruikt om andere IQ+s op het netwerk te benaderen.

- Vervolgens wordt gevraagd of de "Remote Reset" functie beschikbaar dient te zijn. In het geval dat deze is ingeschakeld, wordt de gebruiker op de hoogte gehouden van welke verwarmingen worden vergrendeld. Deze informatie wordt weergegeven op de IQ+s die zijn geconfigureerd om een "Voll" toegang toe te laten. De gebruiker kan ook een reset-sigitaal verzenden via het netwerk om de verwarming te initialiseren die is vergrendeld.

"RESET OP AFSTAND TOEL?"
" N<0> J<1>: 0 "

Station 1 configureren (dit dient als laatste te worden gedaan)

- Er wordt gevraagd om een netwerkcode bij het configureren van afgelegen station 1. Het is een 4 cijferige code die kan worden gebruikt om toegang te verkrijgen tot alle overige IQ+s binnen het netwerk. Als deze code wordt ingevoerd wordt hij verzonden naar alle IQ+s binnen het systeem.
- Vervolgens wordt om het aantal bedieningselementen binnen het systeem gevraagd.

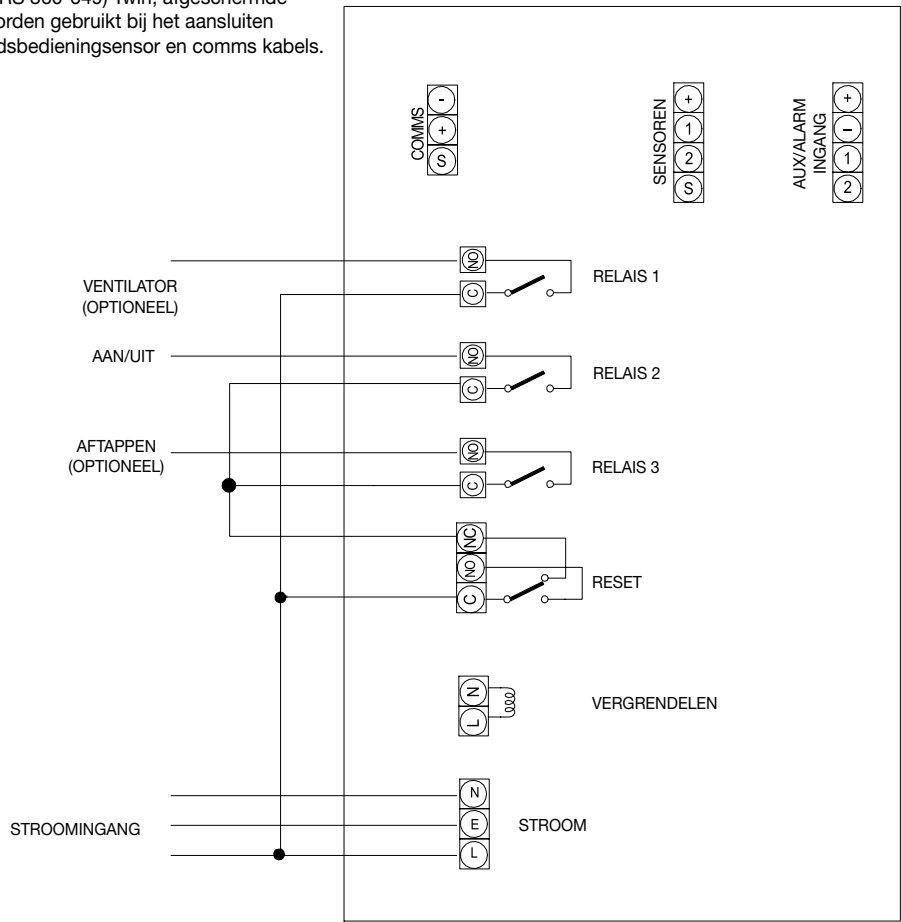
"NETWERKCODE INST"
" XXXX "

"VOER BED NUM IN"
"1 TOT 30: "

Systeemspecificatie

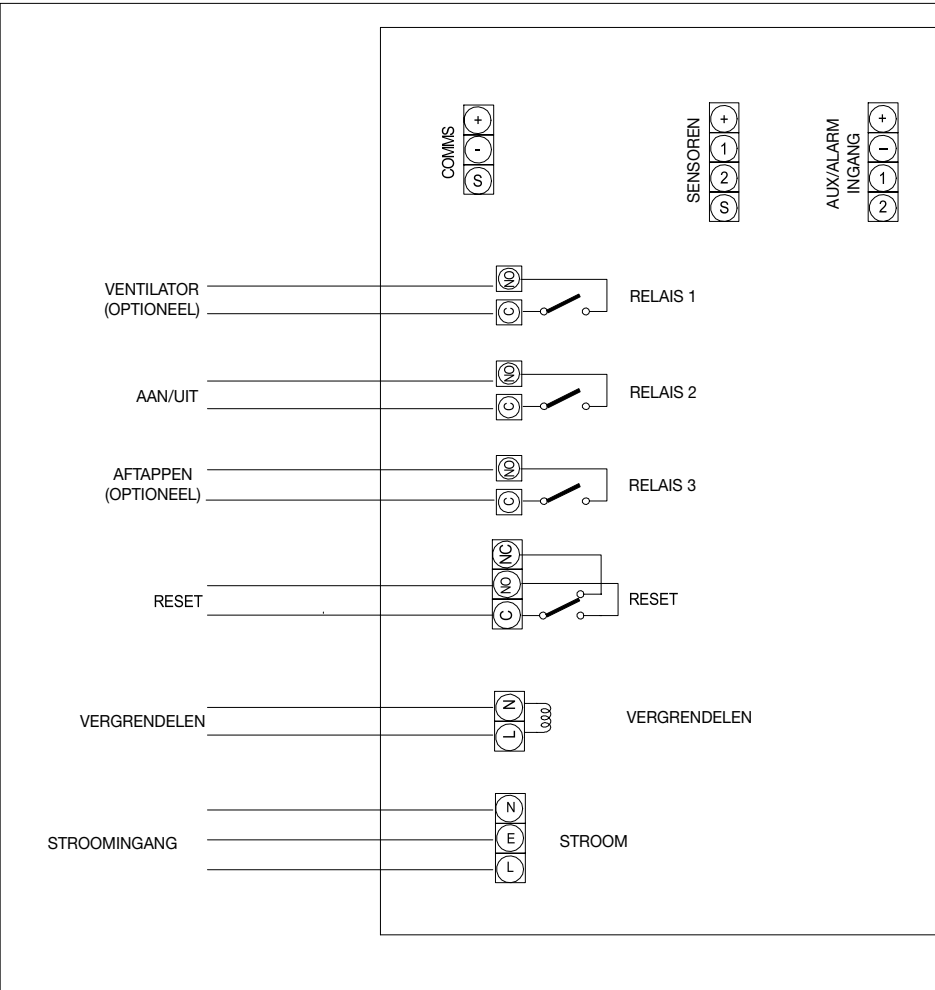
Behuizing:	ABS brandvertragend
Afmetingen:	222mm x 156mm x 61mm (lengte, hoogte, diepte)
Gewicht:	1.3kg
Vermogen relais:	Relais 1 = spanningsvrije, eenpolige, normaal open contacten. Relais 2 = spanningsvrije, eenpolige, normaal open contacten.. Relais 3 = spanningsvrije, eenpolige, normaal open contacten. Relais 4 = spanningsvrije, eenpolige, normaal open & gesloten contacten. 10 amp 230 V wisselstroom (met weerstand) relais 1-3
Alarminput:	230 V wisselstroom 5 mA max.
Voeding:	230 V wisselstroom + 10 % 50 Hz
Sensors:	Gebruik alleen Heatmiser sensors. Bij het bedraden van Heatmiser sensors mogen alleen dubbele beschermde kabels type Beldon 8451 worden toegepast. RS onderdeelnr.: 360-649
Reserve accu:	Minimaal 3 jaar bij 25 °C

Beldon 8451 (RS 360-649) Twin, afgeschermd kabel moet worden gebruikt bij het aansluiten van de afstandsbedieningsensor en comms kabels.



Het reset-commando sluit de stroomtoevoer naar de verwarming(en) gedurende een aantal seconden.

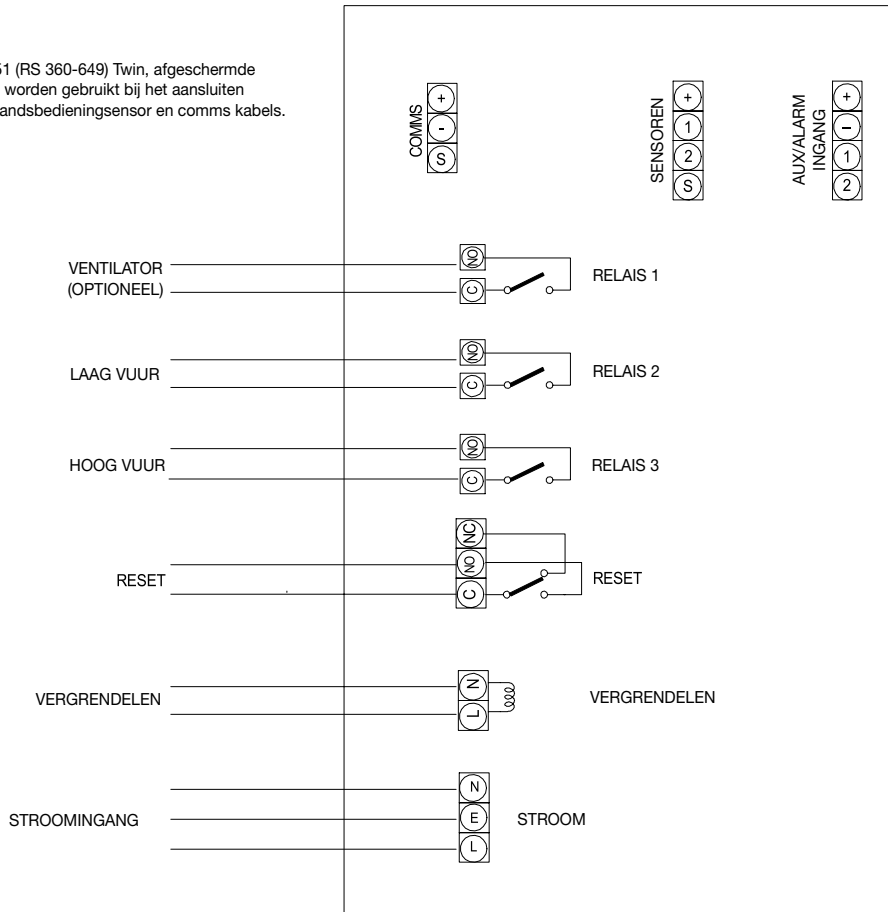
IQ+ 1 AAN_UIT RADIATOR VERWARMING
HEATMISER UK LTD
06 JANUARI 2006



Beldon 8451 (RS 360-649) Twin, afgeschermd kabel moet worden gebruikt bij het aansluiten van de afstandsbedieningsensor en comms kabels.

IQ+ 1 AAN/UIT WARMTE LUCHT VERWARMING
HEATMISER UK LTD
06 JANUARI 2006

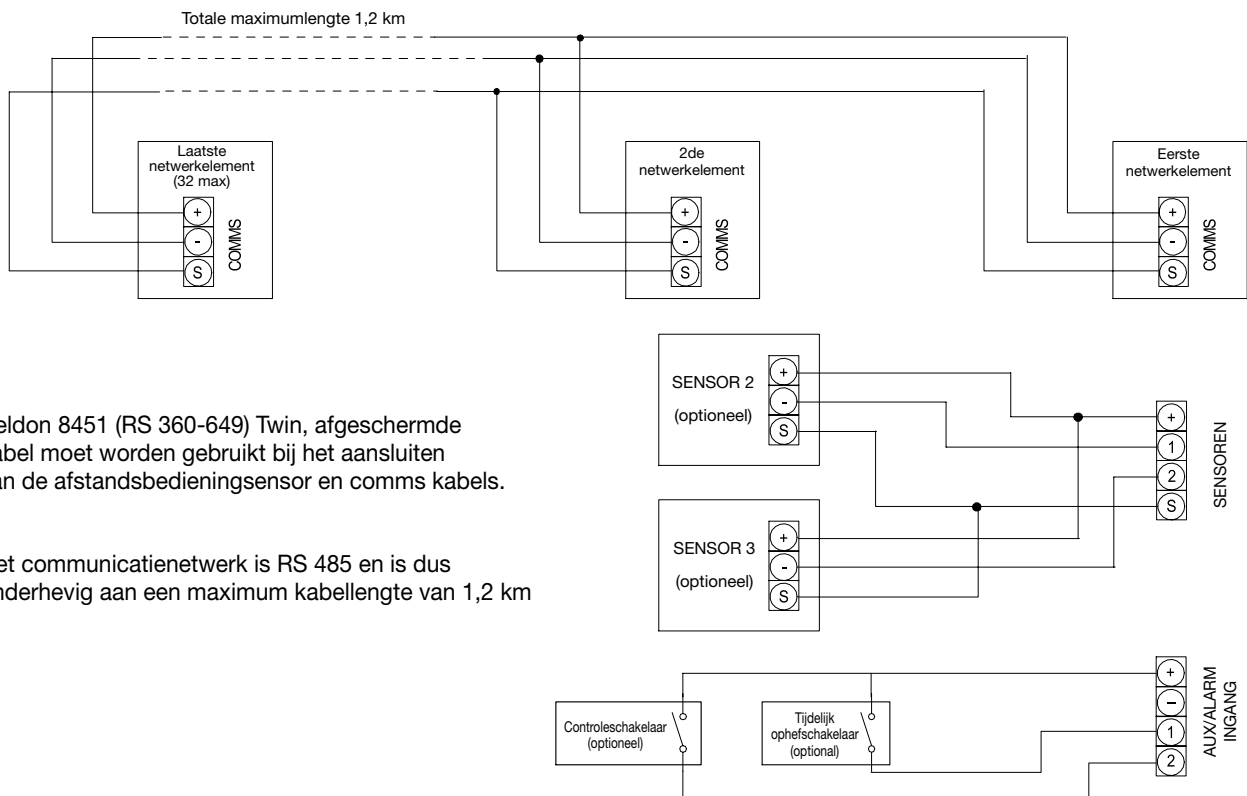
Beldon 8451 (RS 360-649) Twin, afgeschermd kabel moet worden gebruikt bij het aansluiten van de afstandsbedieningsensor en comms kabels.



N.B. De aftapfunctie is NIET beschikbaar in de hoog/laag modus

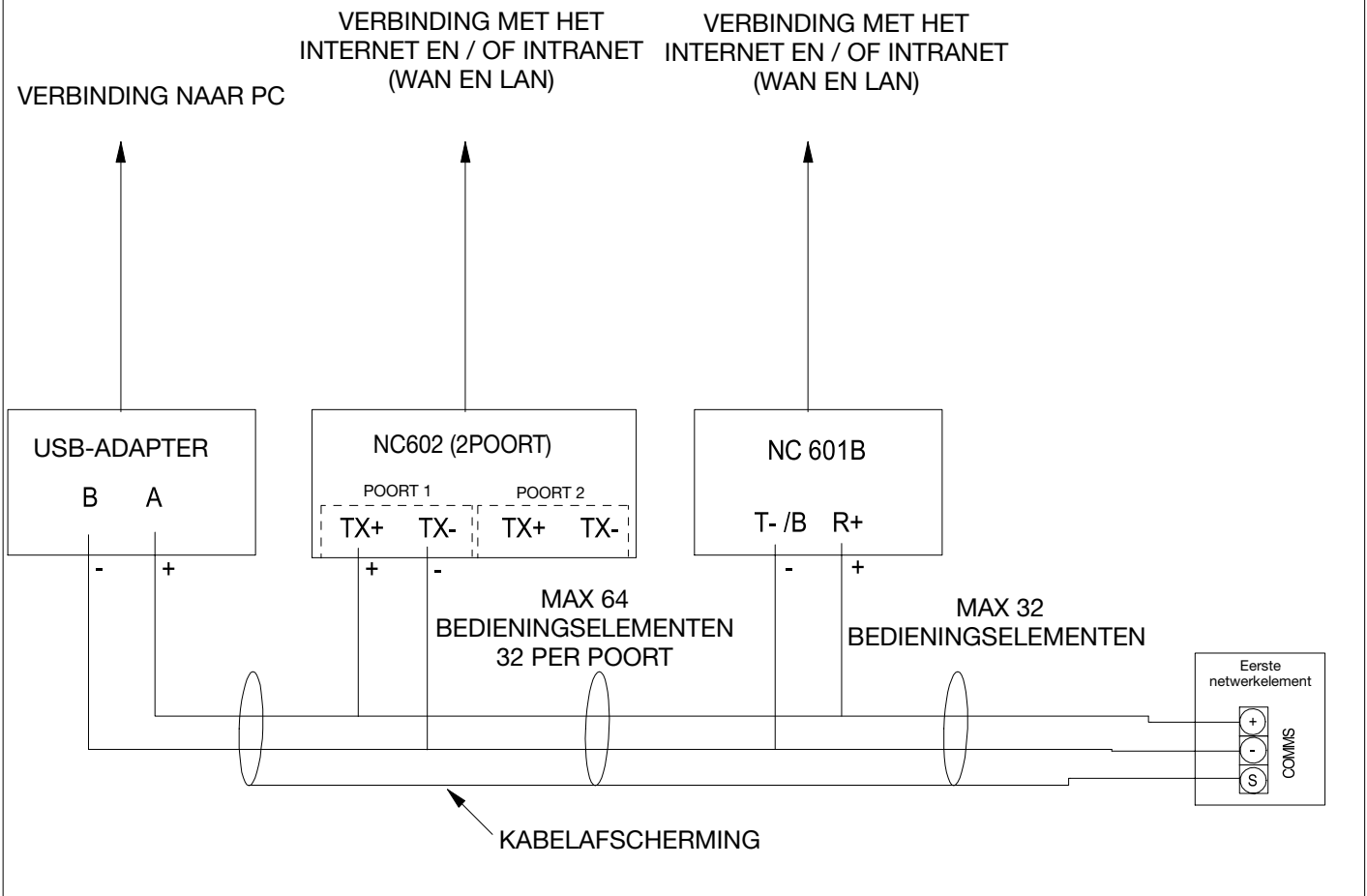
IQ+ 1 HOOG/LAAG RADIATOR VERWARMING
HEATMISER UK LTD
06 JANUARI 2006

SENSOR, COMMS EN AUX BEDRADING VOOR DE IQ+



Beldon 8451 (RS 360-649) Twin, afgeschermd kabel moet worden gebruikt bij het aansluiten van de afstandsbedieningsensor en comms kabels.

Het communicatienetwerk is RS 485 en is dus onderhevig aan een maximum kabellengte van 1,2 km



This is blank - the back cover